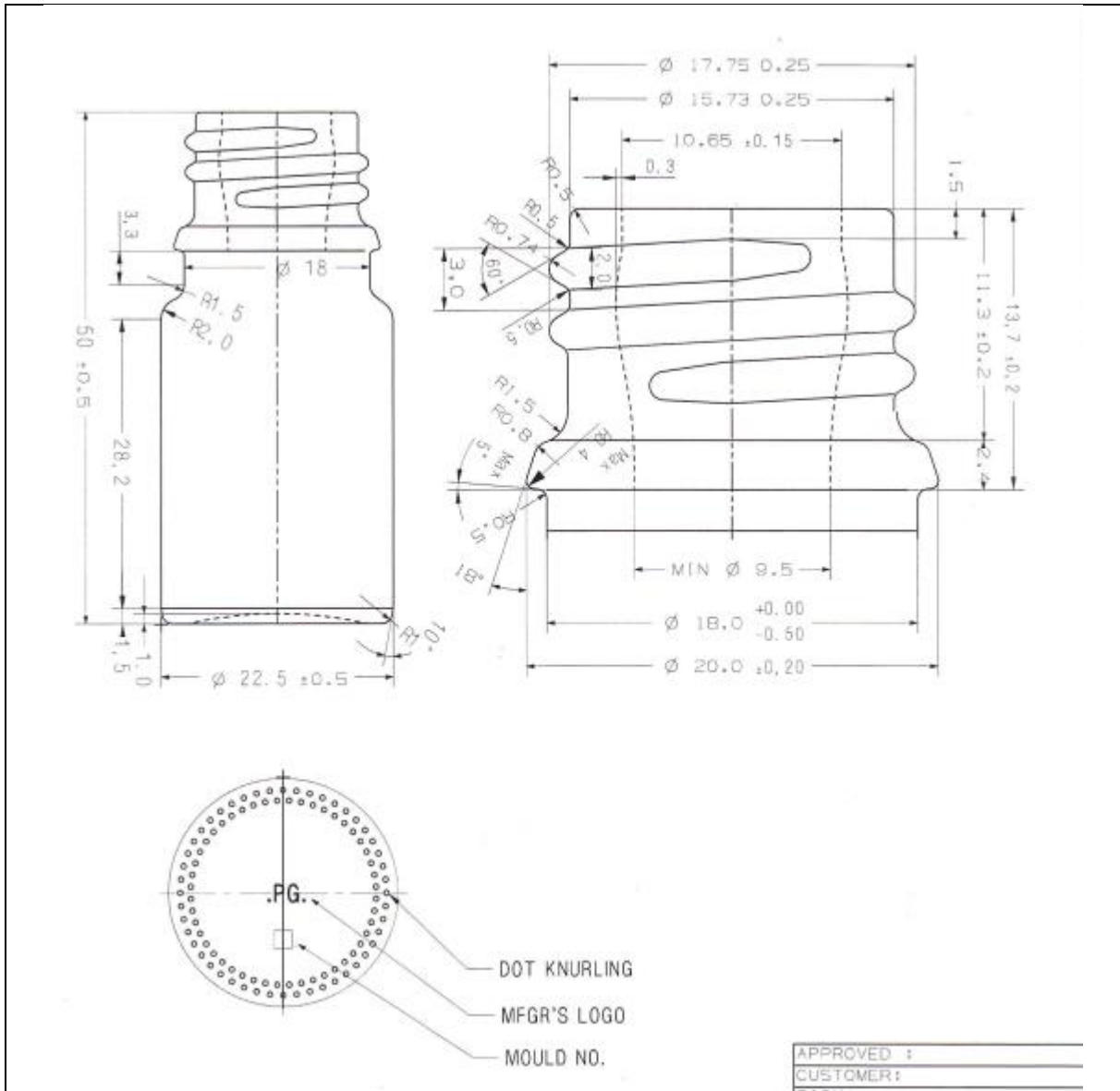


TECHNICAL DRAWING

PRODUCT	5ml Amber Dropper
PRODUCT CODE	10007



PRODUCT SPECIFICATION DETAILS:

Date of Drawing	08/04/09
Scale	Not to scale
Glass weight (g) (Approx)	20g
Finish	Neck GL18 BEAD SPL
Additional Information	Overflow Cap 8.5 ± 1 ml
Material composition	Soda Lime Glass
Material recyclable?	Yes (check with local waste collection provider)