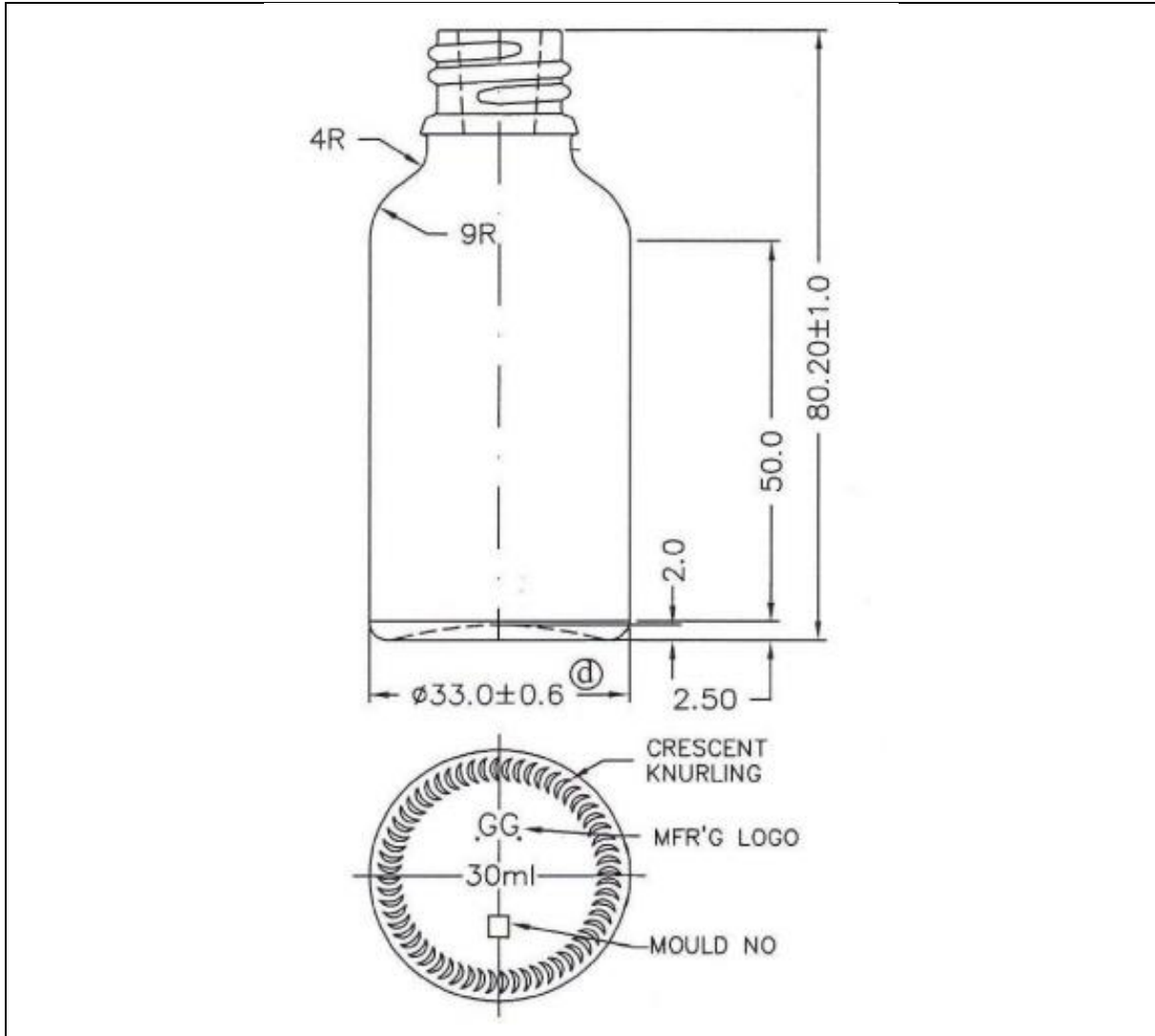


## TECHNICAL DRAWING

<b>PRODUCT</b>	<b>30ml Amber Dropper</b>
<b>PRODUCT CODE</b>	<b>10010</b>



### PRODUCT SPECIFICATION DETAILS:

<b>Date of Drawing</b>	01/01/03
<b>Scale</b>	Not to scale
<b>Glass weight (g) (Approx)</b>	45+/-8
<b>Finish</b>	Neck DIN-18
<b>Additional Information</b>	Overflow 36+/-1.8ml
<b>Material composition</b>	Soda Lime Glass
<b>Material recyclable?</b>	Yes (check with local waste collection provider)