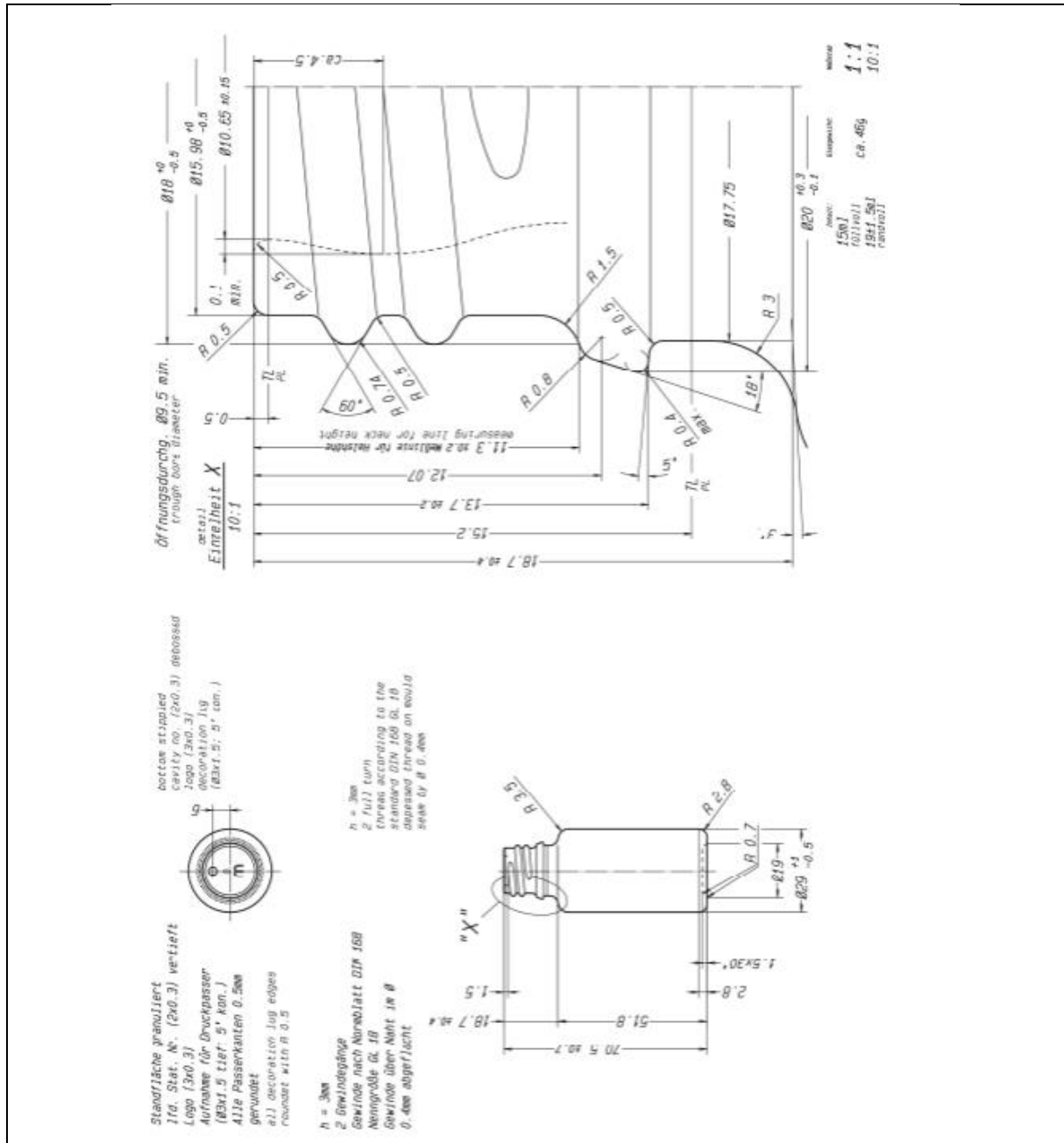


TECHNICAL DRAWING

PRODUCT	15ml Miron Dropper Bottle
PRODUCT CODE	10030



PRODUCT SPECIFICATION DETAILS:

Date of Drawing	18/03/21
Scale	Not to scale
Glass Weight (g)	46
Additional Information	Brimful Capacity 19±1.5ml
Material recyclable?	Yes (check with local waste collection provider)