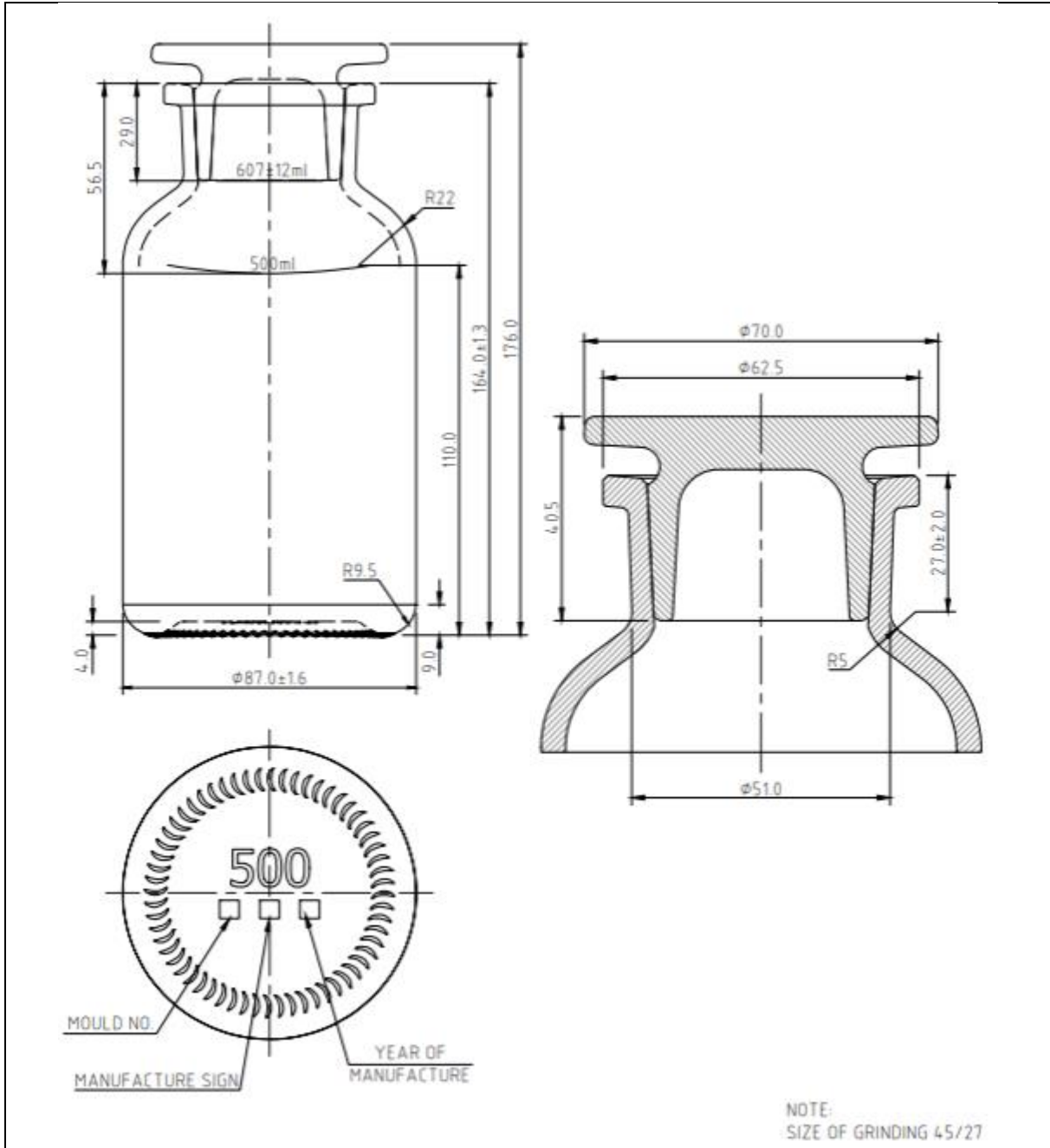


TECHNICAL DRAWING

PRODUCT	500ml Clear Reagent Bottle
PRODUCT CODE	10039



PRODUCT SPECIFICATION DETAILS:

Date of Drawing	22/05/20
Scale	Not to scale
Glass Weight (g)	540g
Additional Information	Brimful Capacity 607±12ml
Material recyclable?	Yes (check with local waste collection provider)