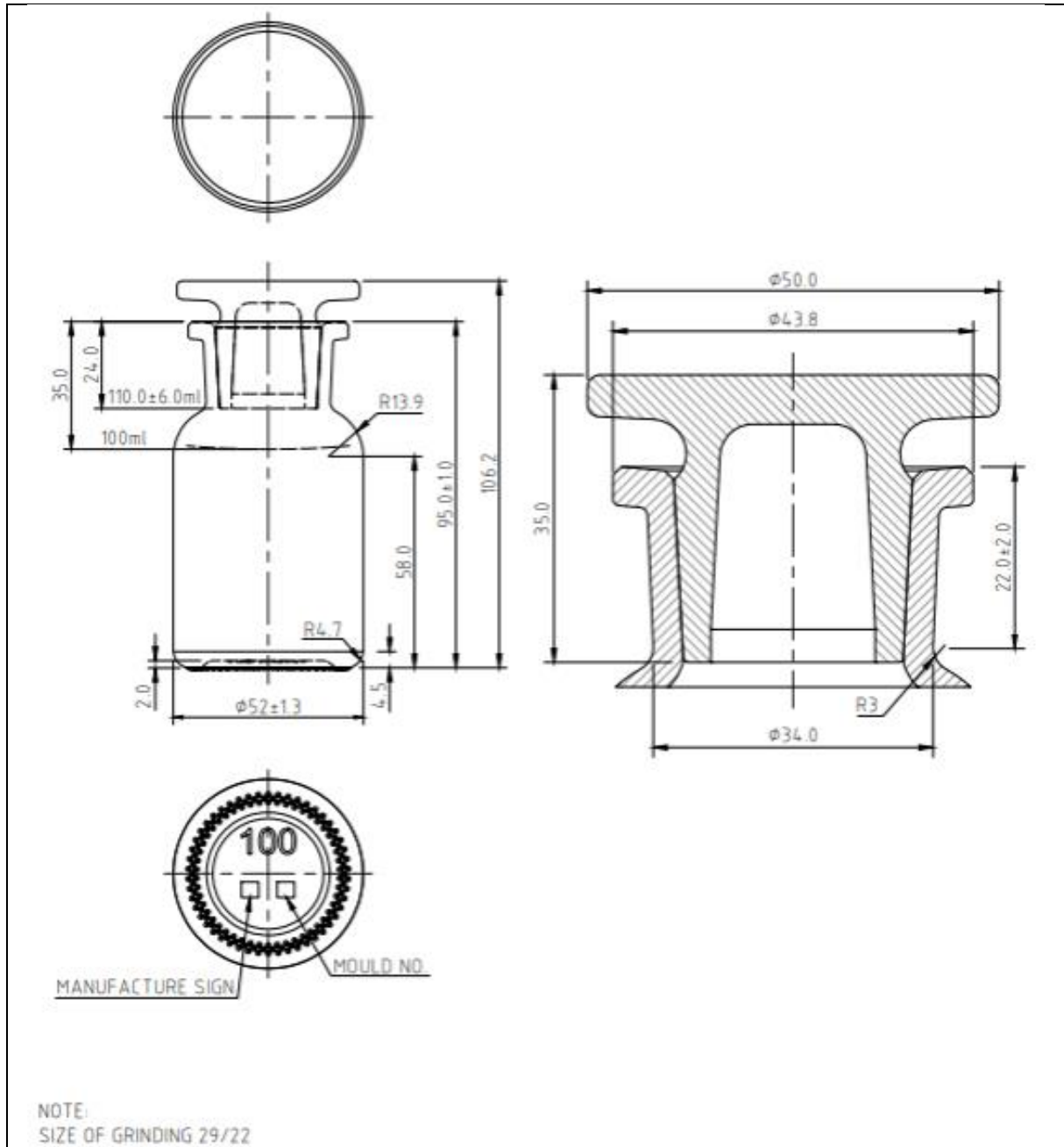


## TECHNICAL DRAWING

<b>PRODUCT</b>	<b>100ml Amber Reagent Bottle</b>
<b>PRODUCT CODE</b>	<b>10041</b>



### PRODUCT SPECIFICATION DETAILS:

<b>Date of Drawing</b>	21/05/20
<b>Scale</b>	Not to scale
<b>Glass Weight (g)</b>	165g
<b>Additional Information</b>	Brimful Capacity 110 $\pm$ 6ml
<b>Material recyclable?</b>	Yes (check with local waste collection provider)