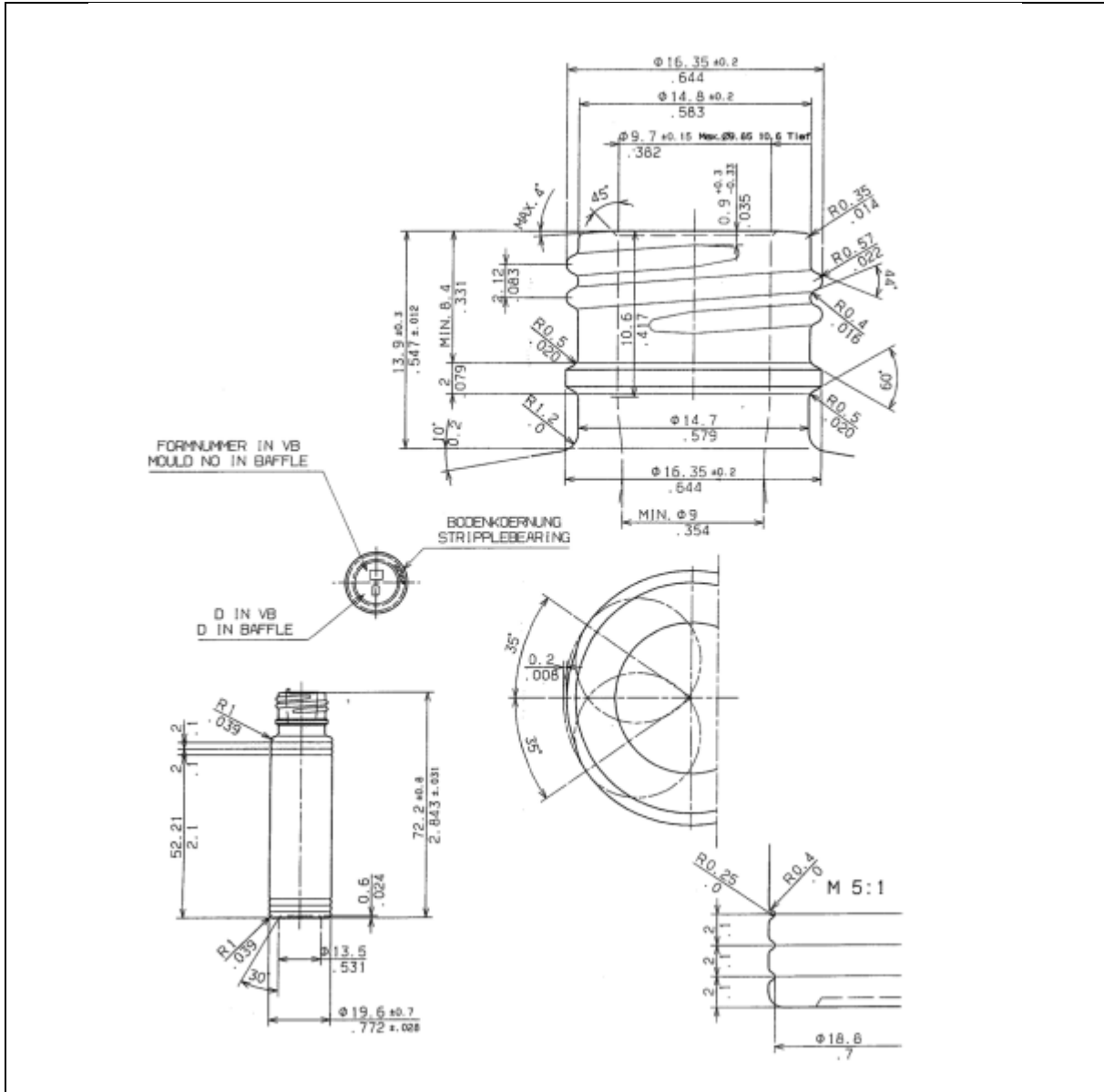


TECHNICAL DRAWING

PRODUCT	10ml Clear Rollette Bottle
PRODUCT CODE	10046



PRODUCT SPECIFICATION DETAILS:

Date of Drawing	03/11/97
Scale	Not to scale
Glass weight (g) (Approx)	21
Finish	N/A
Additional Information	Overflow: 11.5ml, Capacity 10ml
Material composition	Soda Lime Glass
Material recyclable?	Yes (check with local waste collection provider)