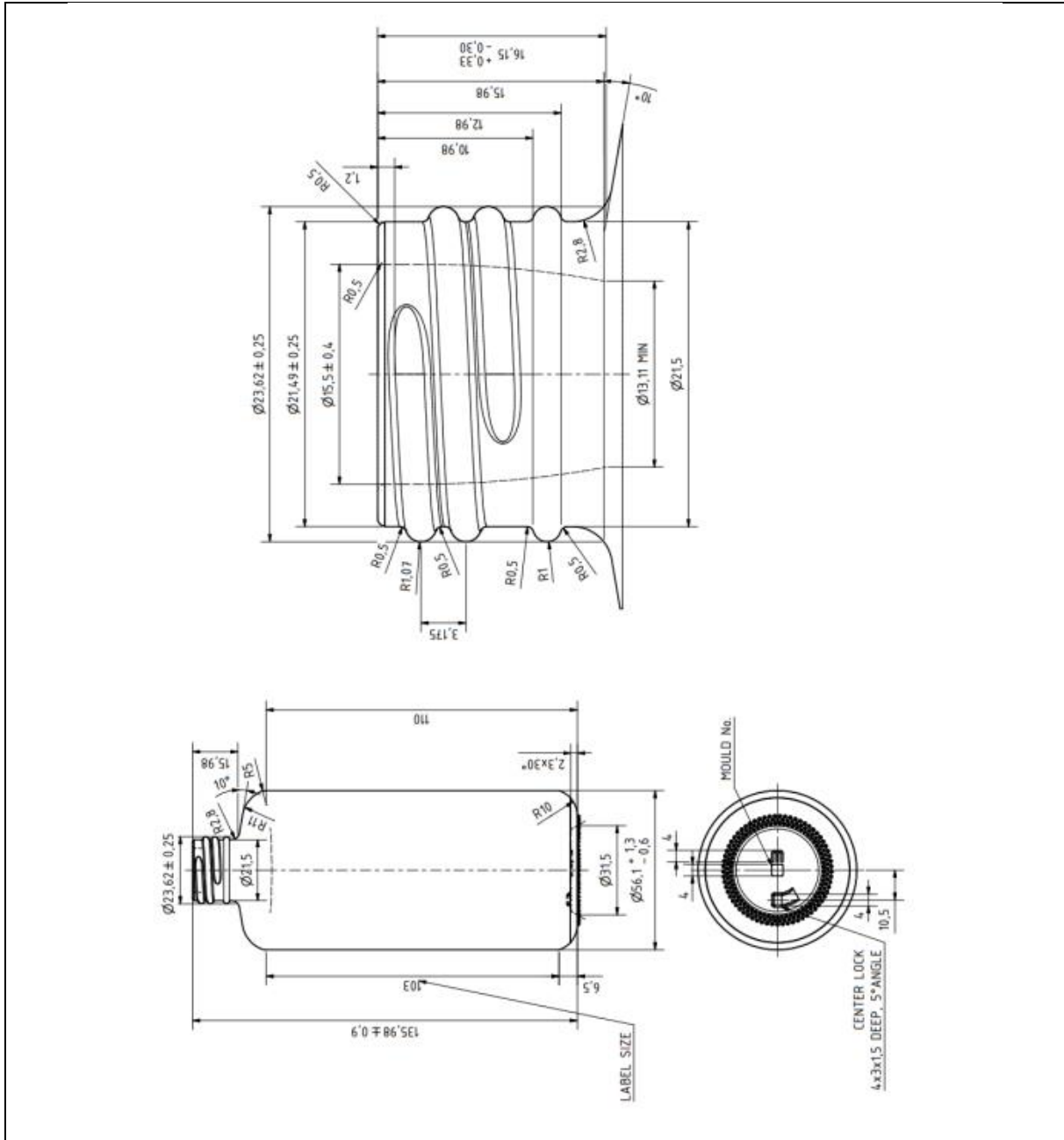


## TECHNICAL DRAWING

<b>PRODUCT</b>	<b>200ml Miron Dropper Bottle (24/410 Neck)</b>
<b>PRODUCT CODE</b>	<b>10056</b>



### PRODUCT SPECIFICATION DETAILS:

<b>Date of Drawing</b>	V23/11
<b>Scale</b>	Not to scale
<b>Glass Weight (g)</b>	185g
<b>Additional Information</b>	Fill Capacity 200ml; Brimful Capacity 215±6ml
<b>Material recyclable?</b>	Yes (check with local waste collection provider)