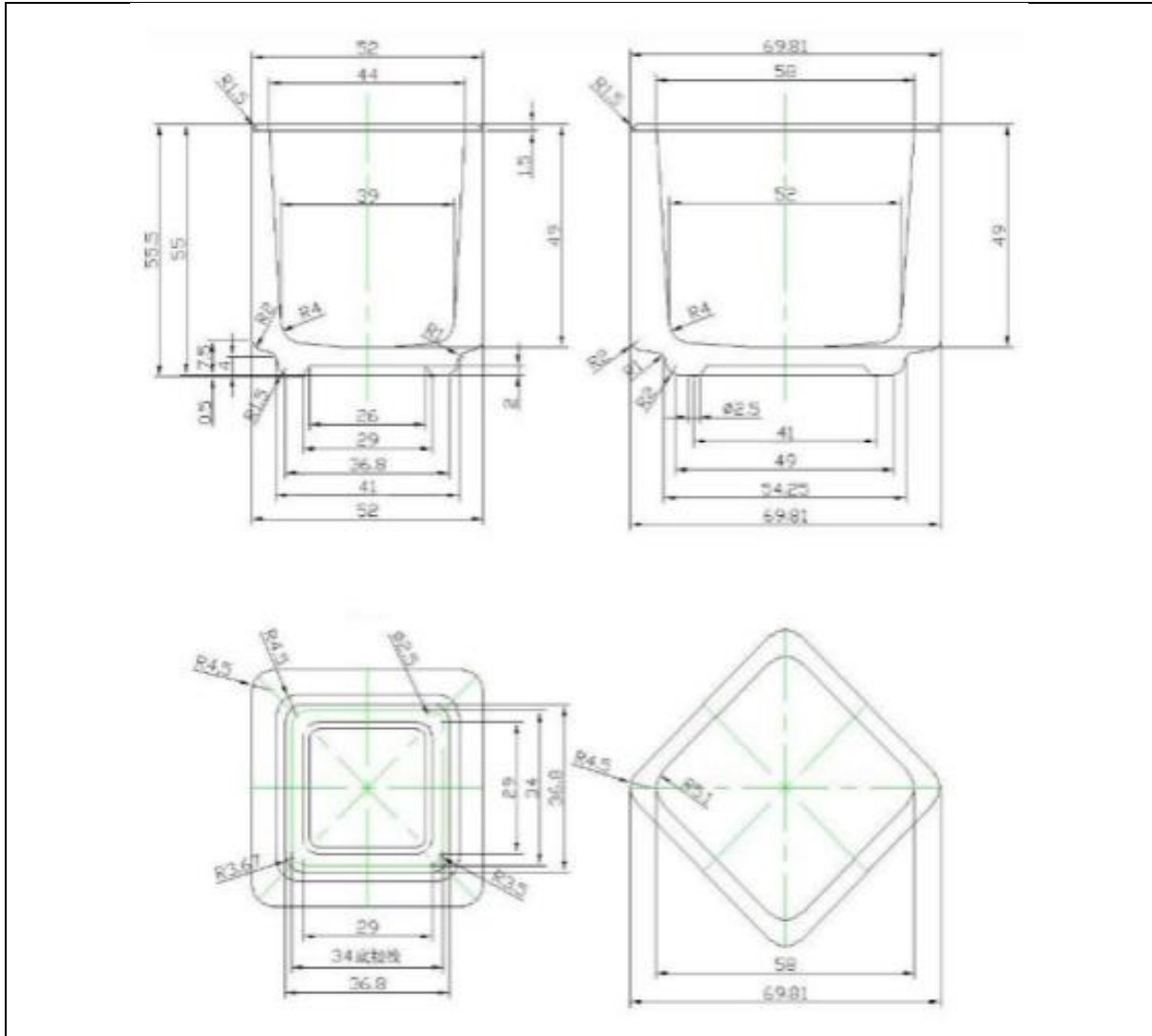


TECHNICAL DRAWING

PRODUCT	8cl Clear Square Candle Glass
PRODUCT CODE	11008



PRODUCT SPECIFICATION DETAILS:

Date of Drawing	05/10/16
Scale	Not to scale
Glass weight (g) (Approx)	125+/-10g
Finish	Clear
Additional Information	None
Material composition	Soda Lime Glass
Material recyclable?	Yes (check with local waste collection provider)