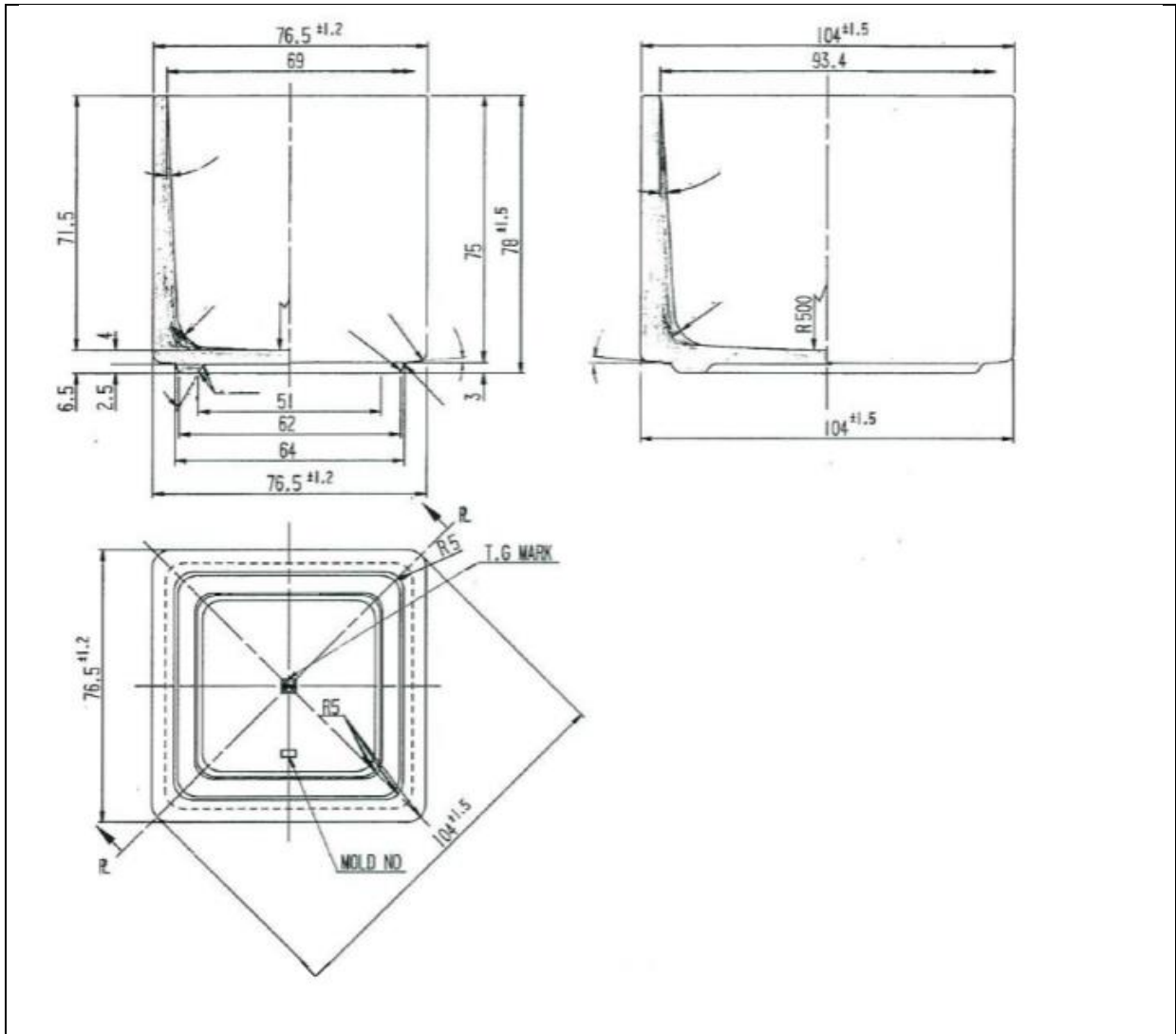


## TECHNICAL DRAWING

<b>PRODUCT</b>	<b>25cl Clear Square Candle Glass</b>
<b>PRODUCT CODE</b>	<b>11009</b>



### PRODUCT SPECIFICATION DETAILS:

<b>Date of Drawing</b>	29/03/17
<b>Scale</b>	Not to scale
<b>Glass weight (g) (Approx)</b>	340+/-18g
<b>Finish</b>	Clear
<b>Additional Information</b>	Brimful capacity 310cc
<b>Material composition</b>	Soda Lime Glass
<b>Material recyclable?</b>	Yes (check with local waste collection provider)