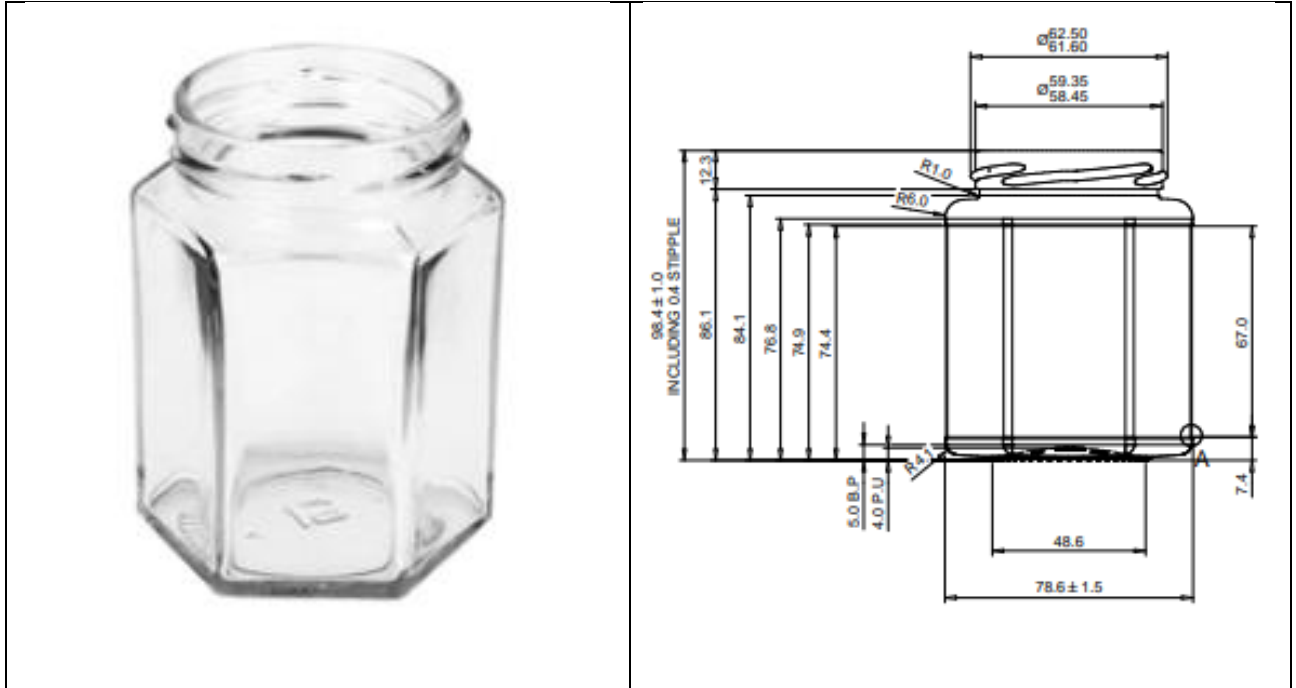


PRODUCT	275ML CLEAR GLASS HEX JAR FOOD
PRODUCT CODE	14057



PRODUCT SPECIFICATION DETAILS:

Capacity (ml)	283
Total height (mm)	98.4 +/- 1.0
Body diameter (mm)	78.6 +/- 1.5
Hole diameter (mm)	58.45
Pressure resistance (bar)	N/A
Glass weight (g)	208
Finish	Clear TO 63mm
Minimum through bore (mm)	N/A
Material composition	Type III Soda Lime Glass
Material recyclable?	Yes
Suitable for food use?	Yes (Complies with Materials and Articles in Contact with Food (England) Regulation 2012 and the Regulation (EC) No 1935/2004 and subsequent updates and amendments)
Recycled glass used in glass manufacture? Percentage used?	Yes (Percentages of recycled glass may vary to keep the concentration of heavy metals within the limits set by European Directive 94/62/EC, next decision 2001/171/EC and amendment 2006/340/EC).
Colorlites declares that the substances listed are absent from the glass:	<ul style="list-style-type: none"> • Bisphenol family • GMOs (Genetically Modified Organisms) • PFAS • Allergens • Substances of animal origin • Phthalates
Additional compliance information	The glass containers we supply do not contain any of the dangerous substances listed in 67/548/EEC, 76/769/EEC directives and following amendments. The glass is compliant with restriction of chemical substances REACH Regulation 1907/2006

***Based on information provided by our supplier(s)**

Disclaimer: The Customer acknowledges and agrees that it is responsible for ensuring that all Vessels are clean and free from contamination such that the Vessel meets all regulatory standards for the product it will house, before the Vessels are filled by the Customer or any of its contractors. **PLEASE REFER TO OUR FULL TERMS AND CONDITIONS.**