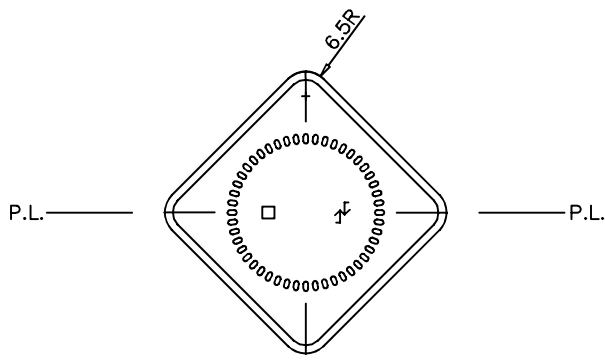
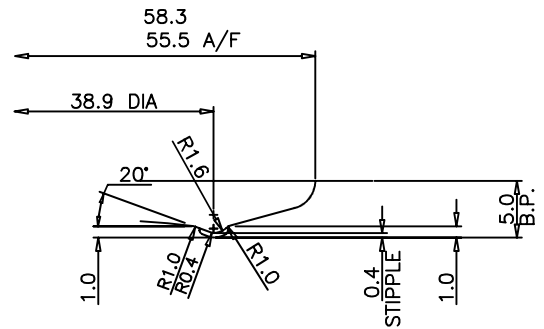


STACKING RING REF. FD 114



VIEW ON BASE
SHOWING EMBOSSED MARKINGS



STACKING RING DETAIL - SCALE 3:1

SCALE	1:1 (A2)	DESIGNER	CH	<h1>130ml Square Jar</h1>	
DATE	01/03/04	CHECKED	DA		
NECK FINISH	53mm TWIST OFF (FD 136)	A) BAR STIPPLE ADDED TO STACKING RING.		(AH) DA 23/06/08	NECK REF. No.
APPROX. WEIGHT	125 g				JOB No.
FILL POINT	0.0mm down				DRAWING No.
CAPACITY TO FILL POINT	130.0 ml				14079
CAPACITY TOLERANCE (BULK) ±	3.3 ml				
CAPACITY BRIMFULL	130.0 ml				DIMENSIONS IN MILLIMETRES
Note: Filling point measured from top centrally inside neck unless otherwise specified.		Untoleranced dimensions are for mould making guidance only and should be regarded as approximate.			