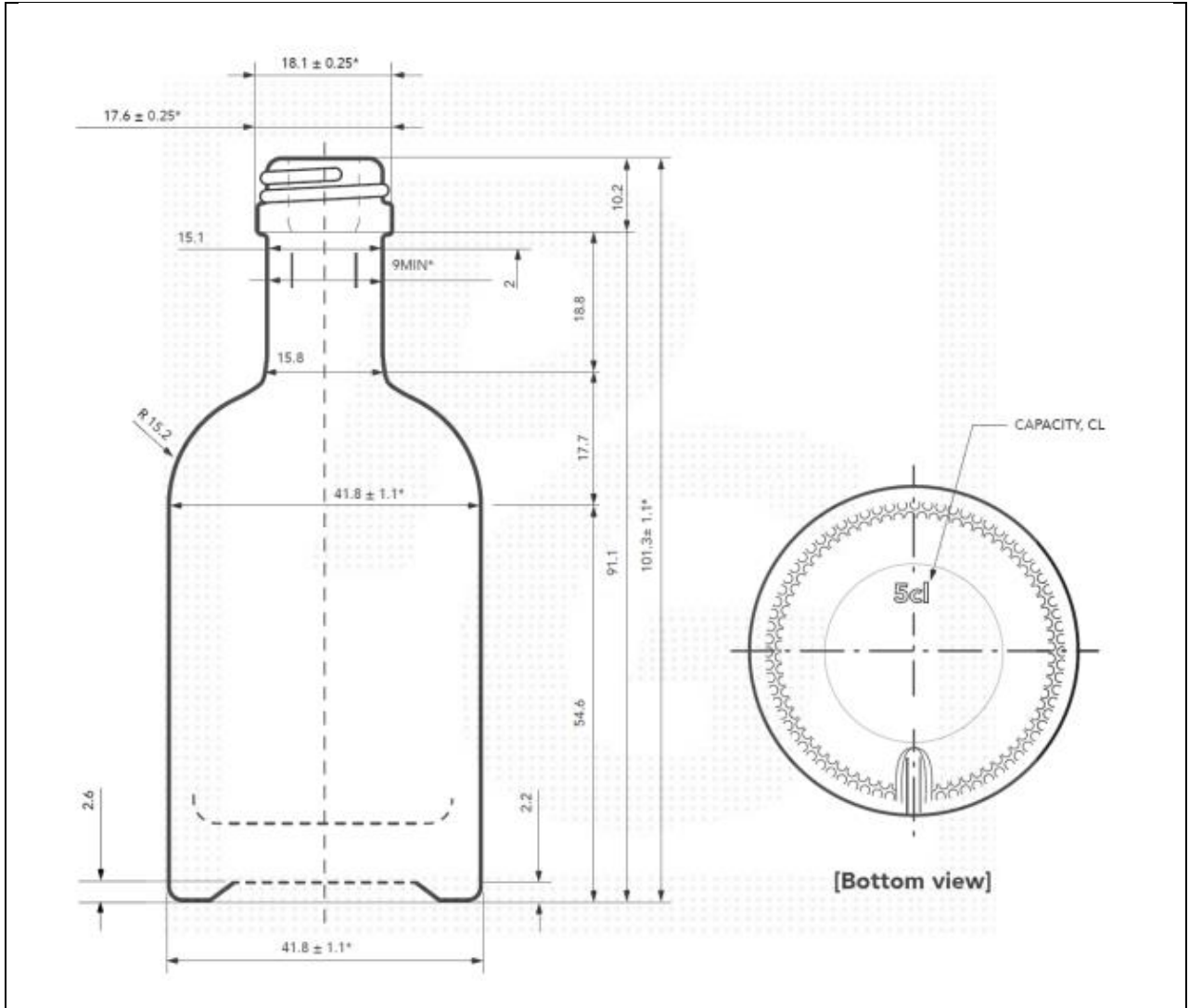


## TECHNICAL DRAWING

<b>PRODUCT</b>	<b>50ml Clear Honorius Bottle</b>
<b>PRODUCT CODE</b>	<b>GLA-FOO-000051</b>



### PRODUCT SPECIFICATION DETAILS:

<b>Date of Drawing</b>	25/09/23
<b>Scale</b>	Not to scale
<b>Glass weight (g) (Approx)</b>	103
<b>Finish</b>	18mm Neck Finish
<b>Additional Information</b>	None
<b>Material composition</b>	Flint
<b>Material recyclable?</b>	Yes (check with local waste collection provider)