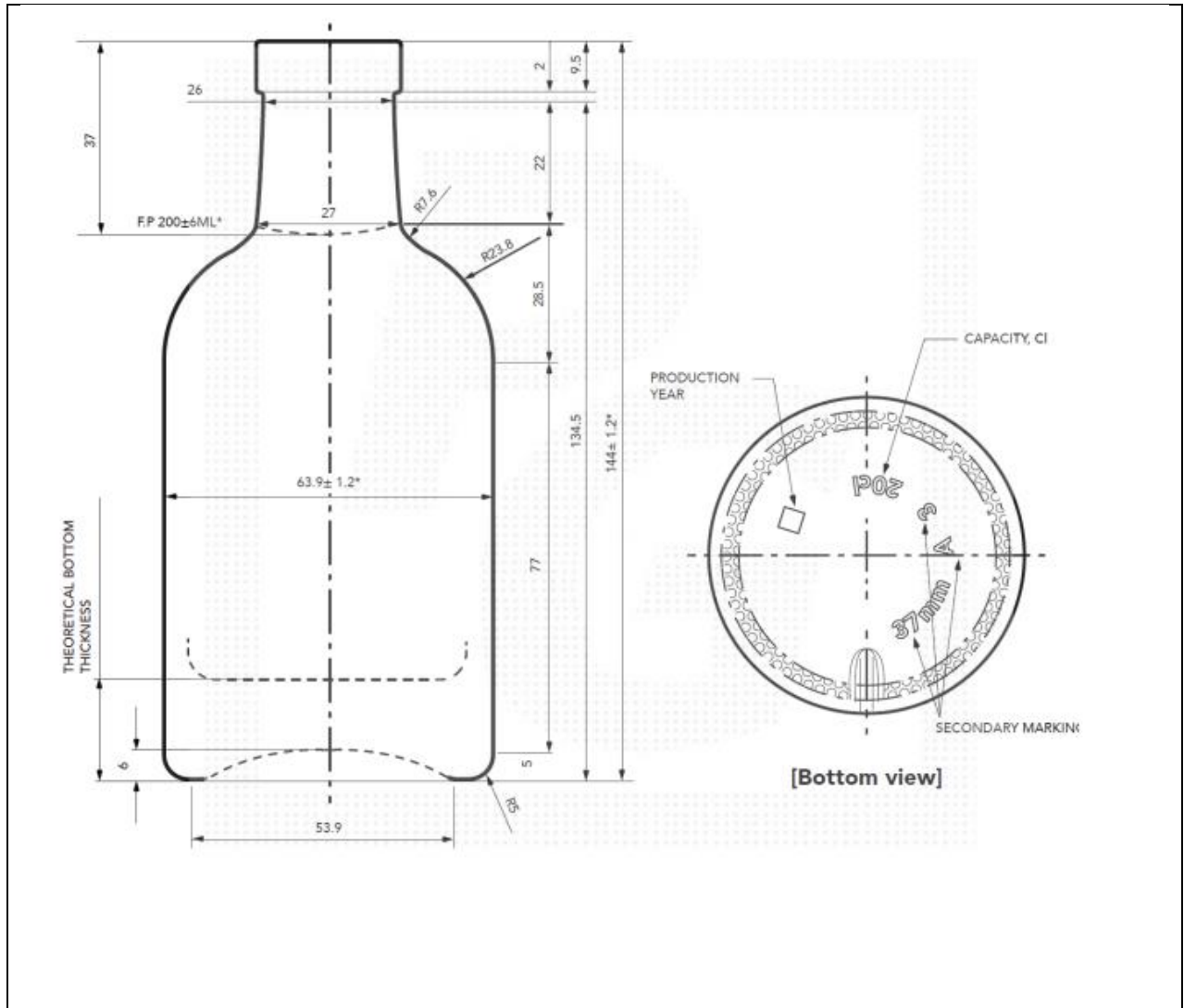


TECHNICAL DRAWING

PRODUCT	200ml Clear Honorius Bottle
PRODUCT CODE	GLA-FOO-000052



PRODUCT SPECIFICATION DETAILS:

Date of Drawing	25/09/23
Scale	Not to scale
Glass weight (g) (Approx)	300
Finish	19mm Neck Finish
Additional Information	None
Material composition	Flint
Material recyclable?	Yes (check with local waste collection provider)