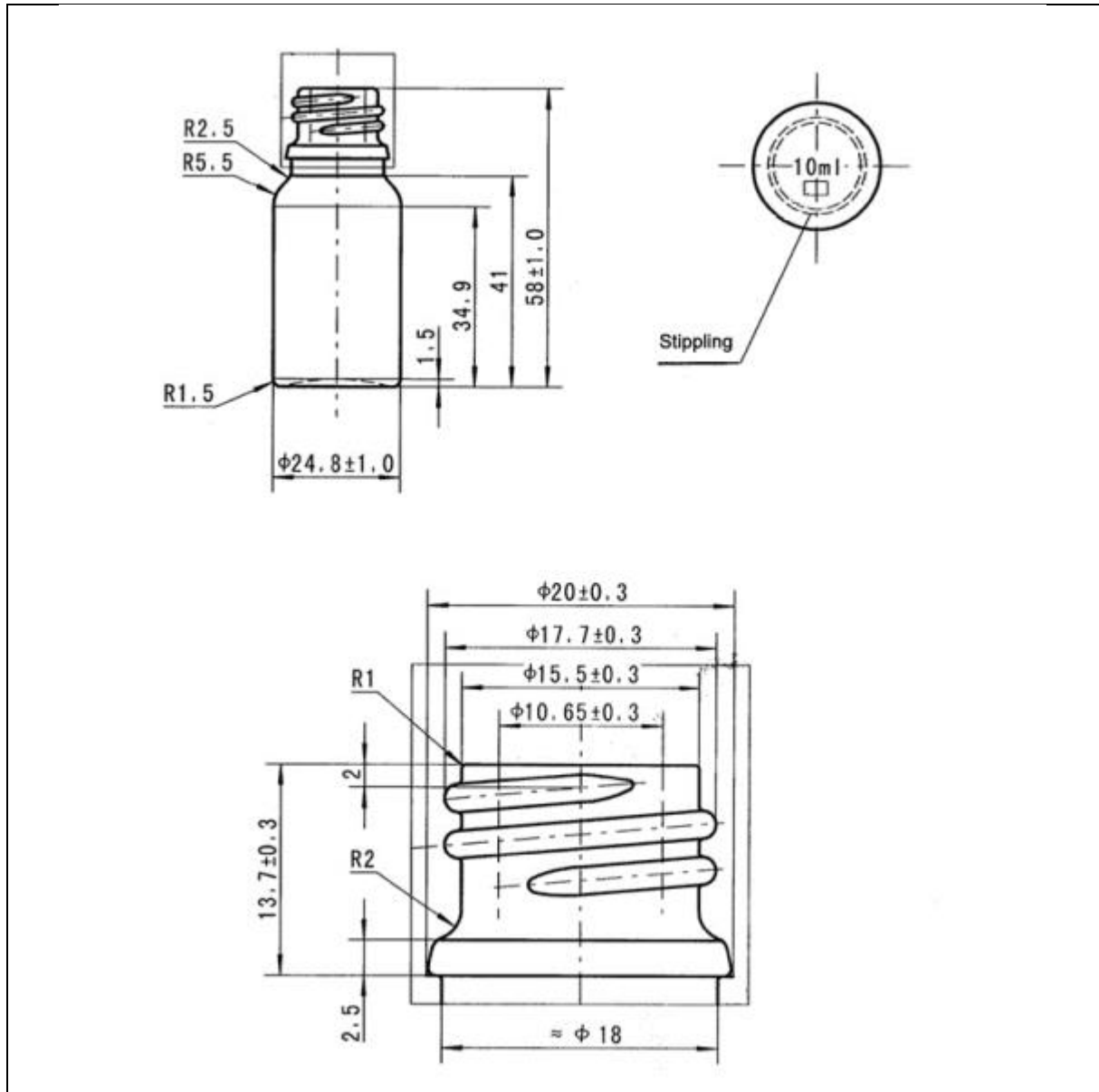


TECHNICAL DRAWING

PRODUCT	10ml Clear Dropper Bottle
PRODUCT CODE	10002



PRODUCT SPECIFICATION DETAILS:

Date of Drawing	06/03/02
Scale	Not to scale
Glass weight (g) (Approx)	27.5g
Finish	N/A
Additional Information	Brimful Capacity 12.5±2ml
Material composition	Soda Lime Glass
Material recyclable?	Yes (check with local waste collection provider)