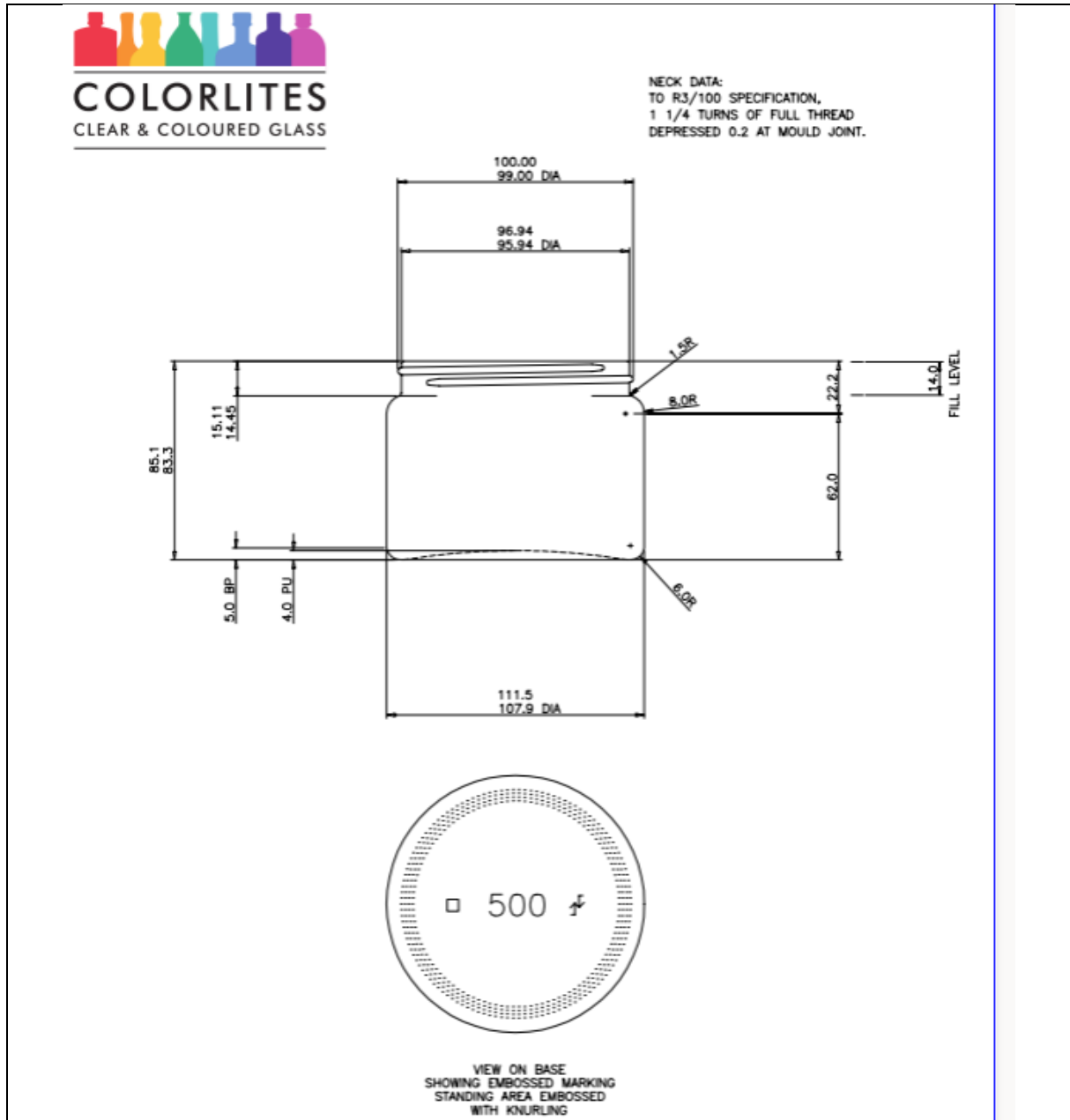


## TECHNICAL DRAWING

|                     |                                    |
|---------------------|------------------------------------|
| <b>PRODUCT</b>      | <b>500ml Clear Squat Jar Glass</b> |
| <b>PRODUCT CODE</b> | <b>12006</b>                       |



### PRODUCT SPECIFICATION DETAILS:

|                                  |   |
|----------------------------------|---|
| <b>Date of Drawing</b>           | 19/11/02  |
| <b>Scale</b>                     | Not to scale  |
| <b>Glass weight (g) (Approx)</b> | 375g  |
| <b>Additional Information</b>    | Neck Finish R3/100; Capacity to fill point 510ml +/-1ml |
| <b>Material composition</b>      | Soda Lime Glass   |
| <b>Material recyclable?</b>      | Yes (check with local waste collection provider)        |