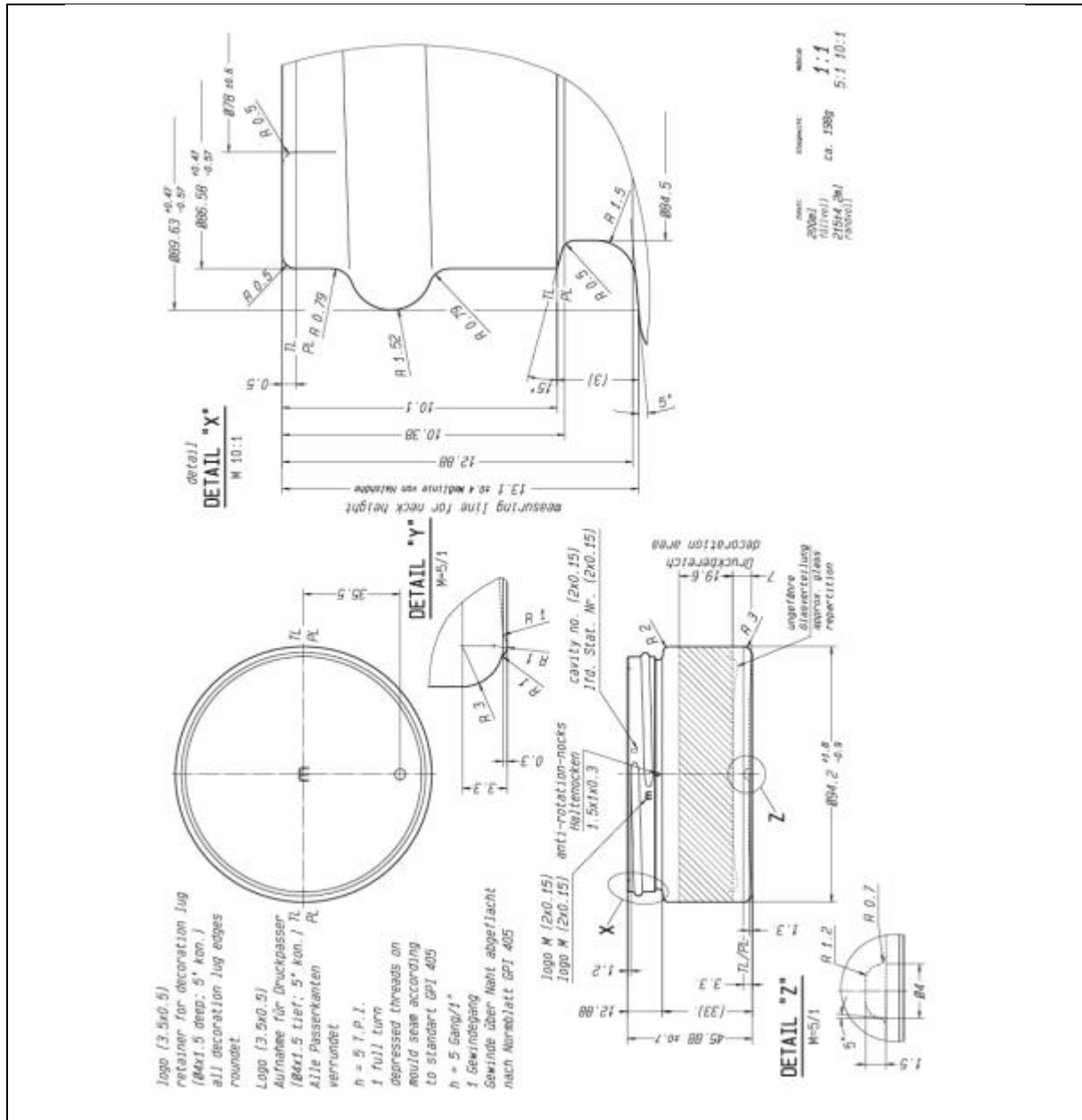


## TECHNICAL DRAWING

<b>PRODUCT</b>	<b>200ml Miron Shallow Jar Glass</b>
<b>PRODUCT CODE</b>	<b>12015</b>



### PRODUCT SPECIFICATION DETAILS:

<b>Date of Drawing</b>	18/03/21
<b>Scale</b>	Not to scale
<b>Glass weight (g) (Approx)</b>	198g
<b>Additional Information</b>	Brimful Capacity 215ml +/-4.2ml
<b>Material composition</b>	Soda Lime Glass
<b>Material recyclable?</b>	Yes (check with local waste collection provider)