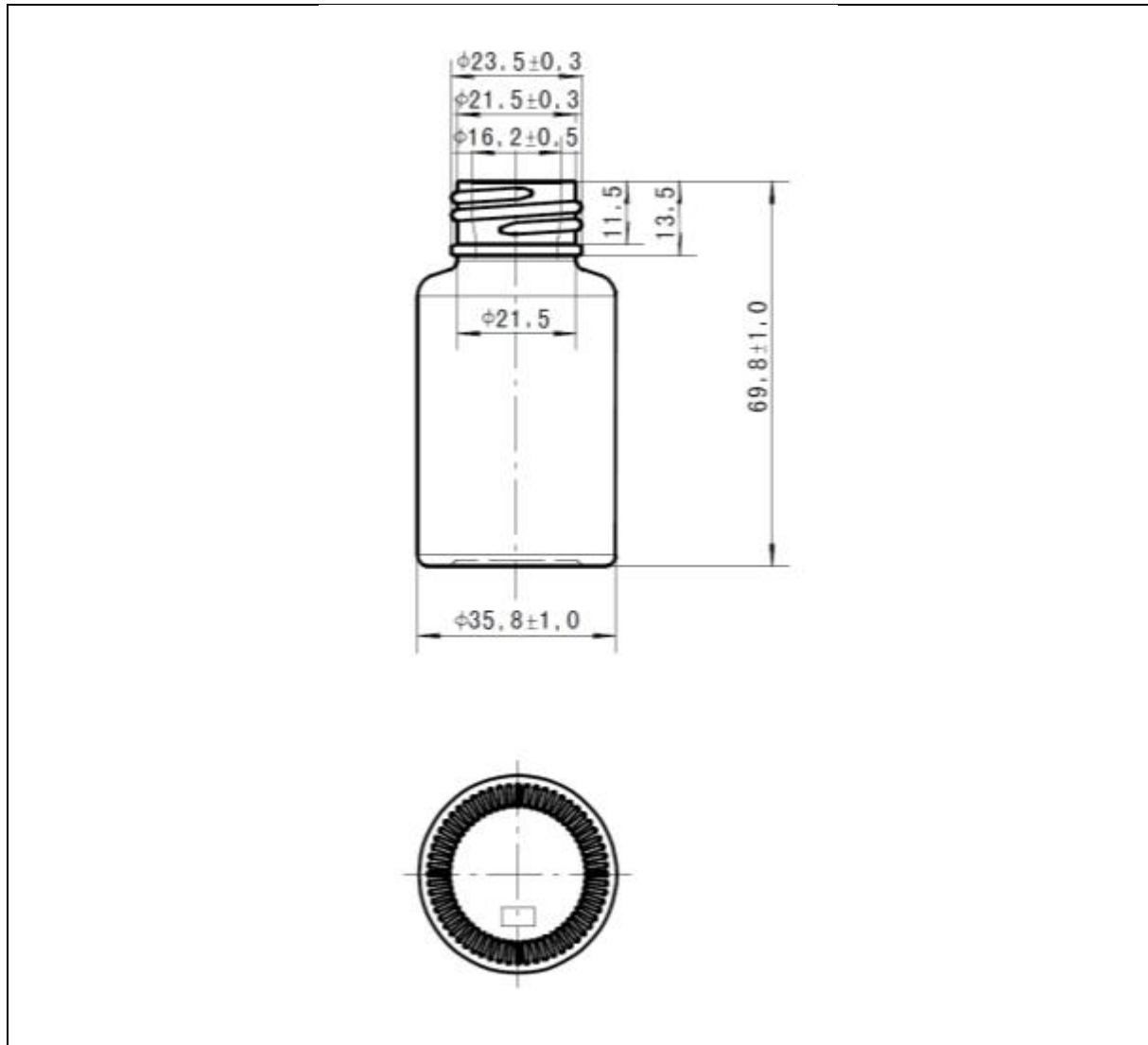


TECHNICAL DRAWING

PRODUCT	30ml Clear Cosmetic Bottle Glass
PRODUCT CODE	12016



PRODUCT SPECIFICATION DETAILS:

Date of Drawing	19/08/19
Scale	Not to scale
Glass weight (g) (Approx)	5.5g
Additional Information	Brimful capacity 36.5ml +/-3ml
Material composition	Soda Lime Glass
Material recyclable?	Yes (check with local waste collection provider)