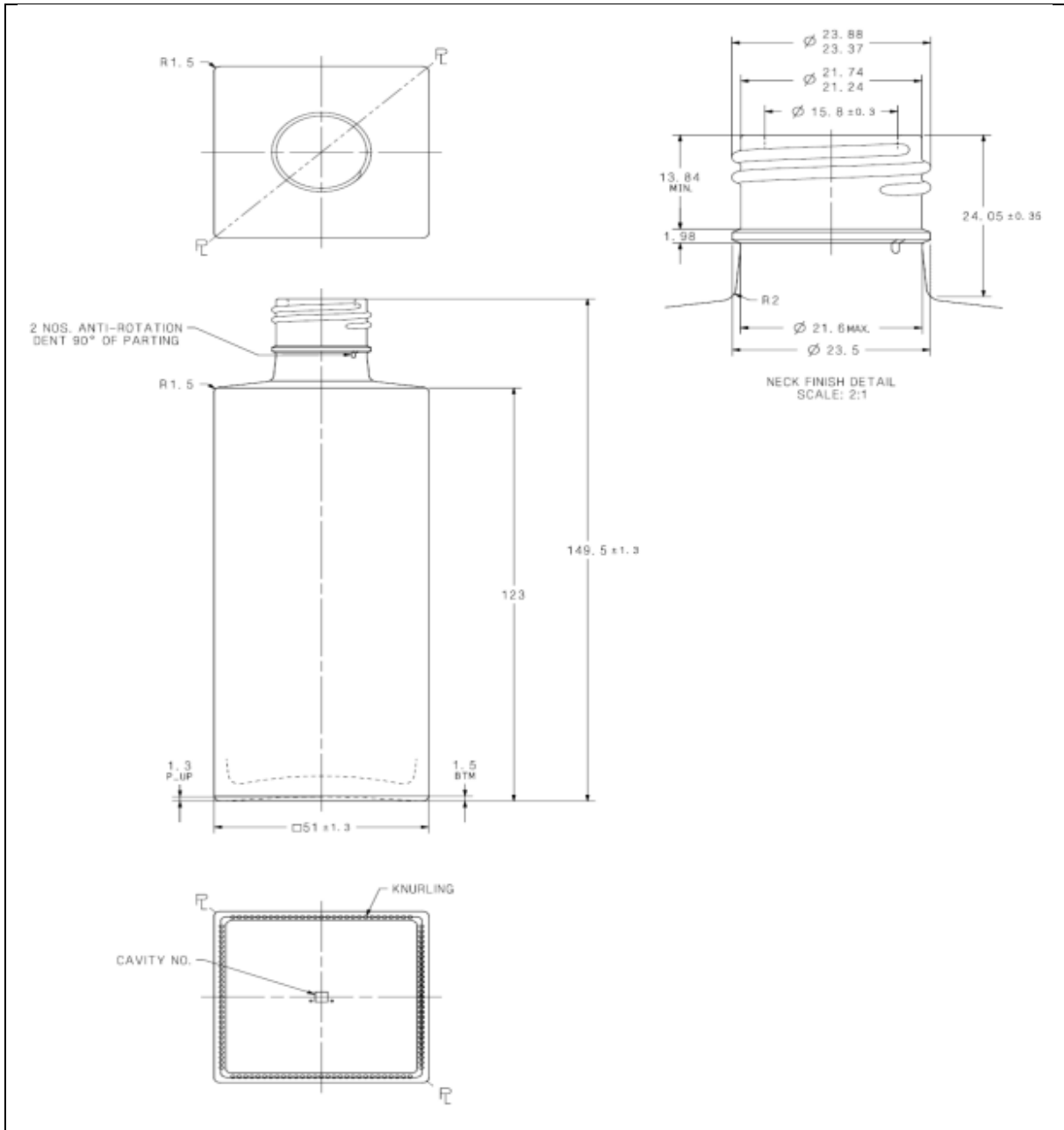


TECHNICAL DRAWING

PRODUCT	200ml Clear Tall Square Clayton Bottle Glass
PRODUCT CODE	12020



PRODUCT SPECIFICATION DETAILS:

Date of Drawing	03/06/24
Scale	Not to scale
Glass weight (g) (Approx)	266g
Additional Information	Brimful capacity 218+/-6ml; Through Bore Ø 13.11
Material composition	Soda Lime Glass
Material recyclable?	Yes (check with local waste collection provider)