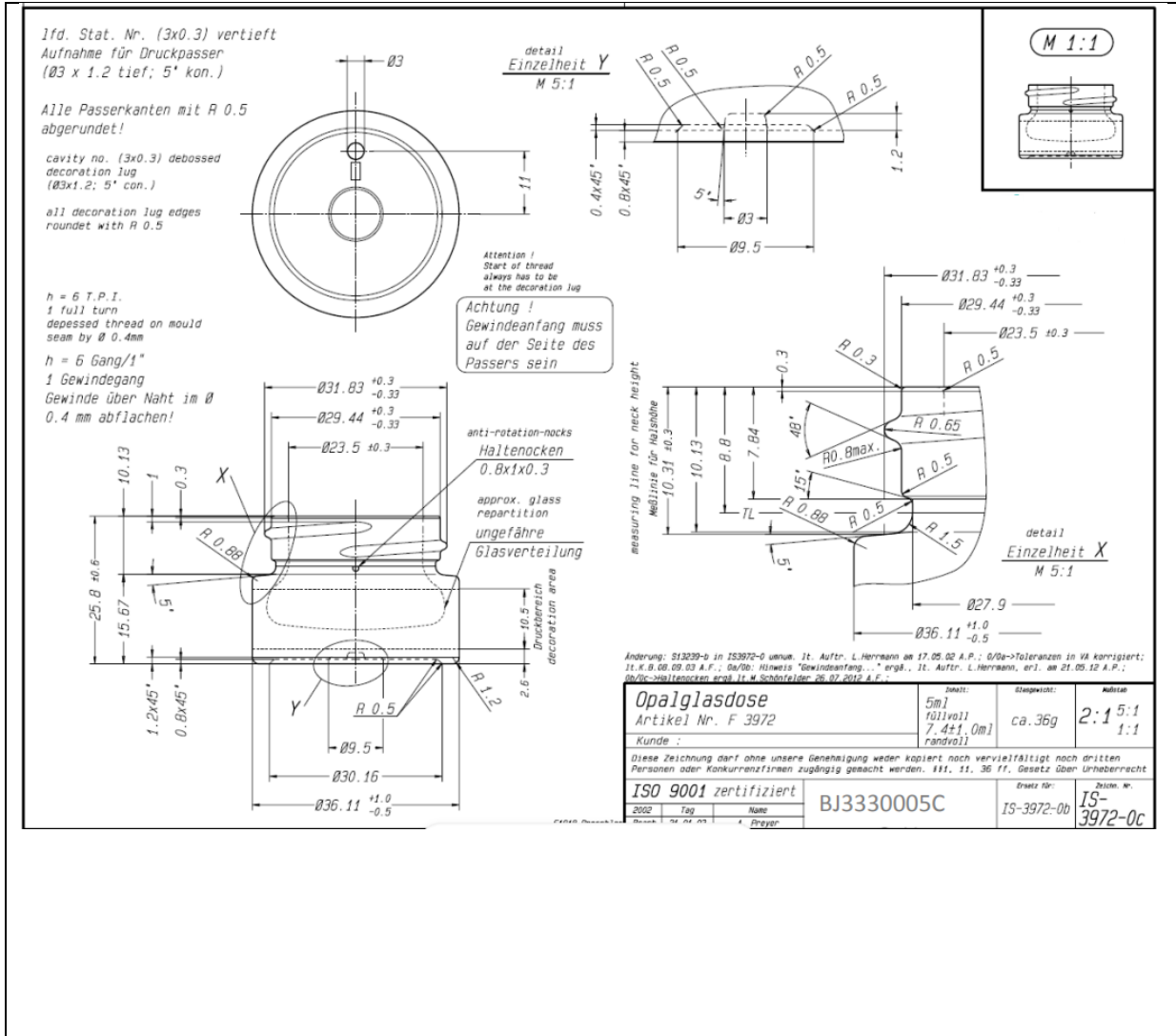


TECHNICAL DRAWING

PRODUCT	7ml Clear Cosmetic Jar (33R3) Glass
PRODUCT CODE	12022



PRODUCT SPECIFICATION DETAILS:

Date of Drawing	21/01/02
Scale	Not to scale
Glass weight (g) (Approx)	36g
Additional Information	Capacity 7.4ml +/-1ml; Neck Spec 33/R3
Material composition	Soda Lime Glass
Material recyclable?	Yes (check with local waste collection provider)