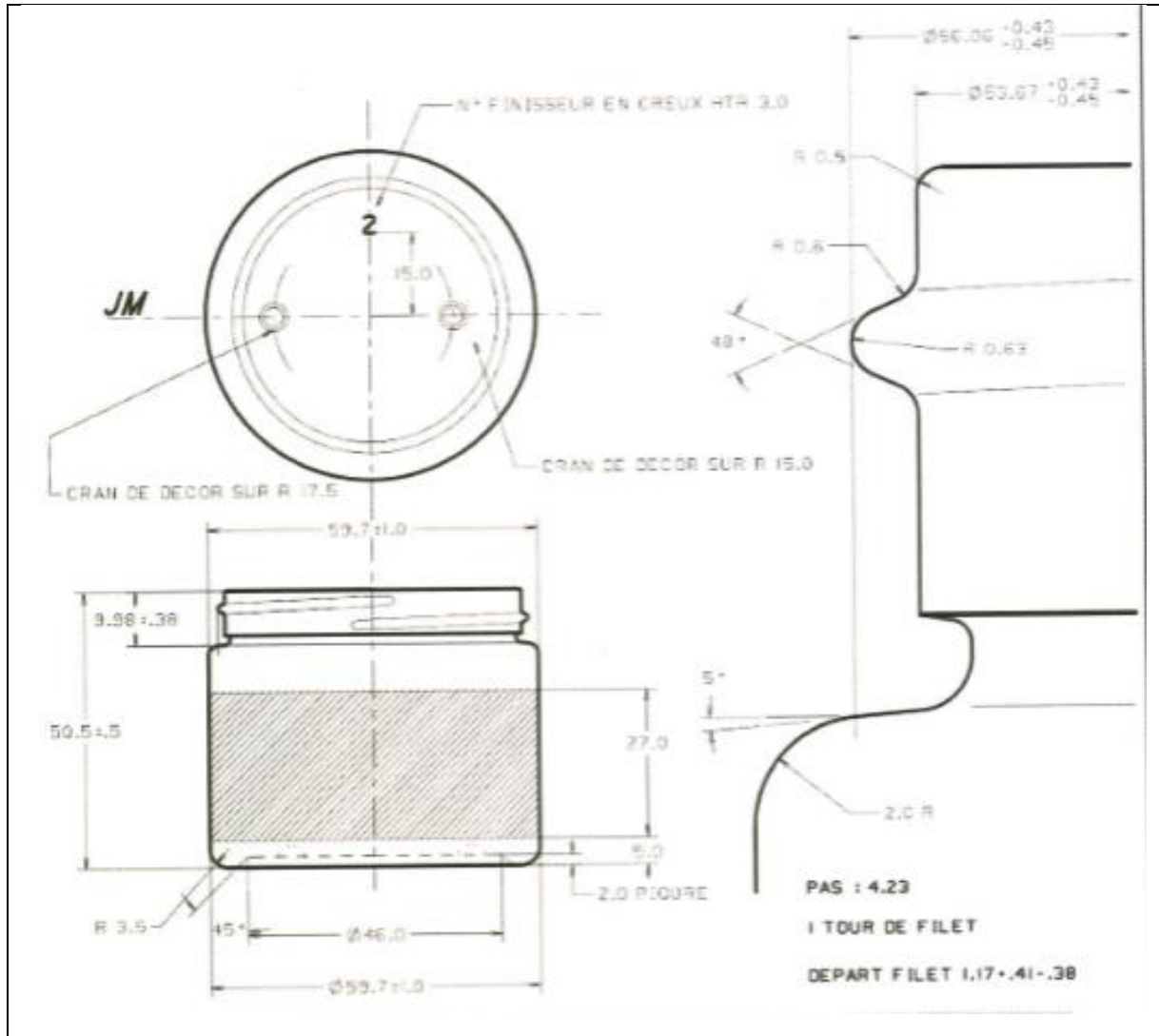


TECHNICAL DRAWING

PRODUCT	60ml Clear Cosmetic Jar (58R3) Glass
PRODUCT CODE	12025



PRODUCT SPECIFICATION DETAILS:

Date of Drawing	01/09/97
Scale	Not to scale
Glass weight (g) (Approx)	136g
Additional Information	Brimful capacity 76ml +/-3ml; Neck Spec 58/R3
Material composition	Soda Lime Glass
Material recyclable?	Yes (check with local waste collection provider)