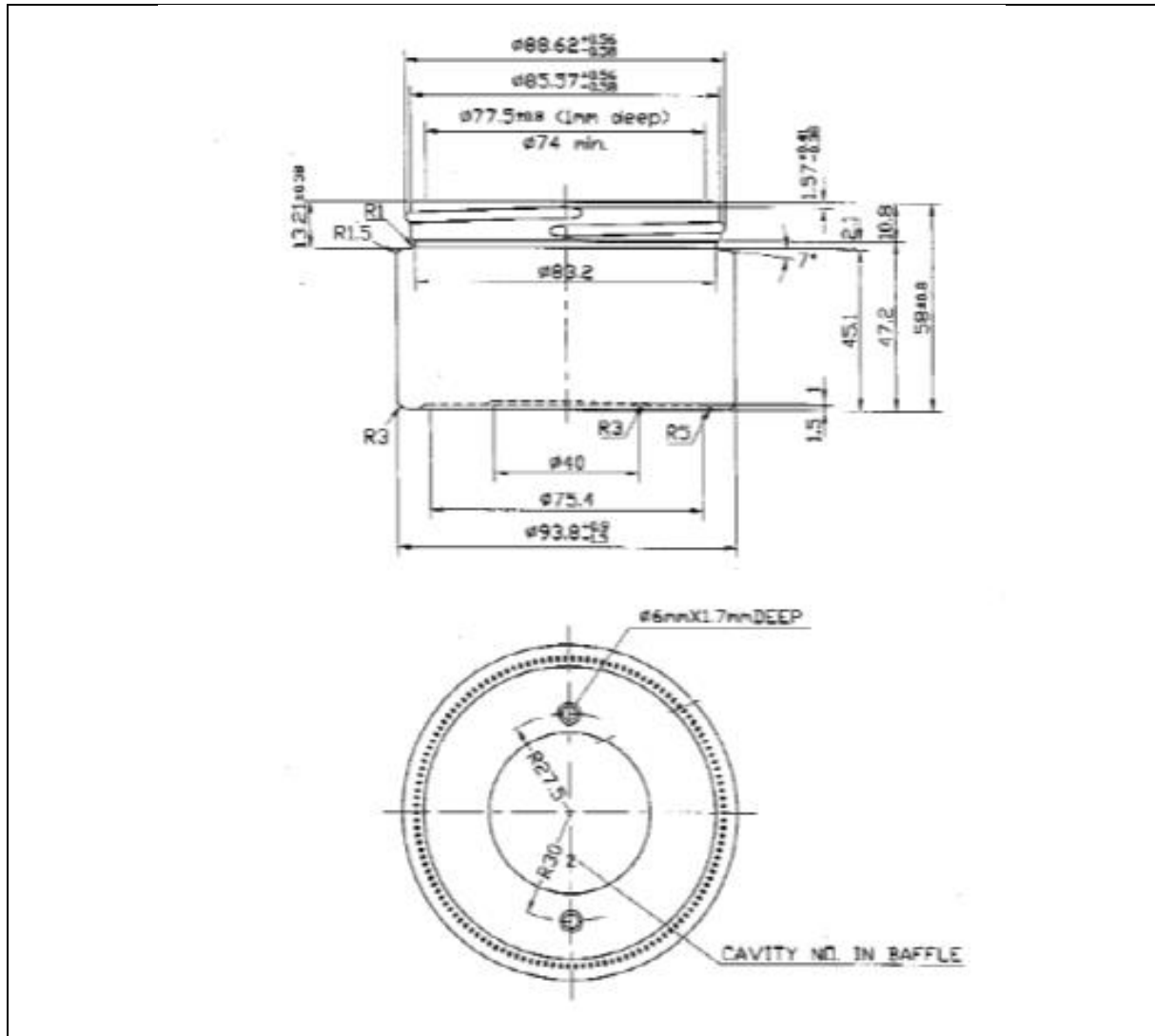


TECHNICAL DRAWING

PRODUCT	200ml Clear Cosmetic Jar (89R3) Glass
PRODUCT CODE	12026



PRODUCT SPECIFICATION DETAILS:

Date of Drawing	28/06/13
Scale	Not to scale
Glass weight (g) (Approx)	311g +/- 1.3g
Additional Information	Capacity 245ml +/-8ml; Neck Spec 89/R3
Material composition	Soda Lime Glass
Material recyclable?	Yes (check with local waste collection provider)