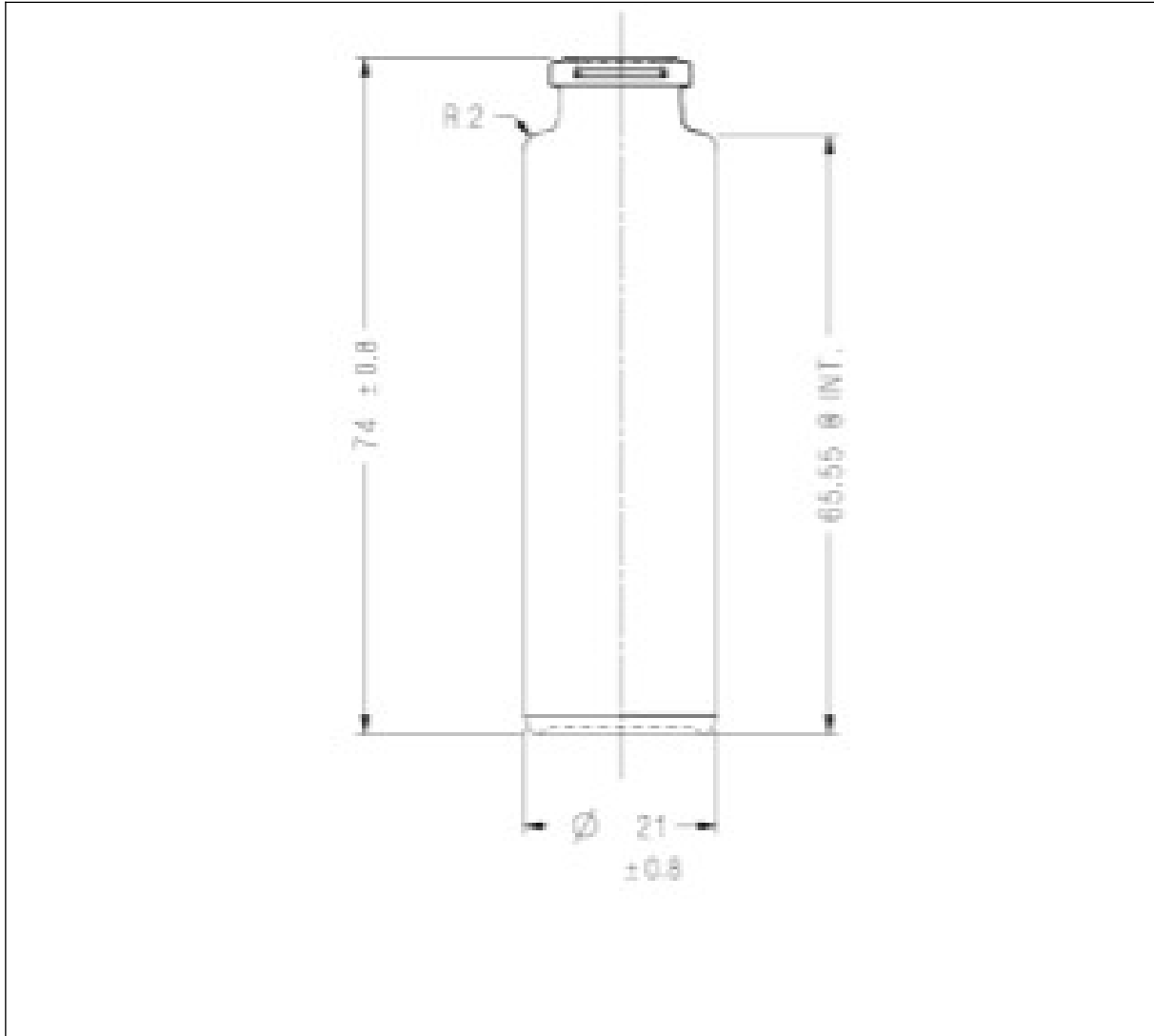


## TECHNICAL DRAWING

<b>PRODUCT</b>	<b>10ml Clear Boston Round Bottle (FEA15 Crimp Neck)</b>
<b>PRODUCT CODE</b>	<b>15011 (GLA-FRA-000011)</b>



### PRODUCT SPECIFICATION DETAILS:

<b>Date of Drawing</b>	01/06/12
<b>Scale</b>	Not to scale
<b>Glass weight (g) (Approx)</b>	30g
<b>Additional Information</b>	Capacity 11.5+/-0.8ml Neck FEA15 Min Neck Bore 8.0mm
<b>Material composition</b>	Soda Lime Glass Type III
<b>Material recyclable?</b>	Yes (check with local waste collection provider)