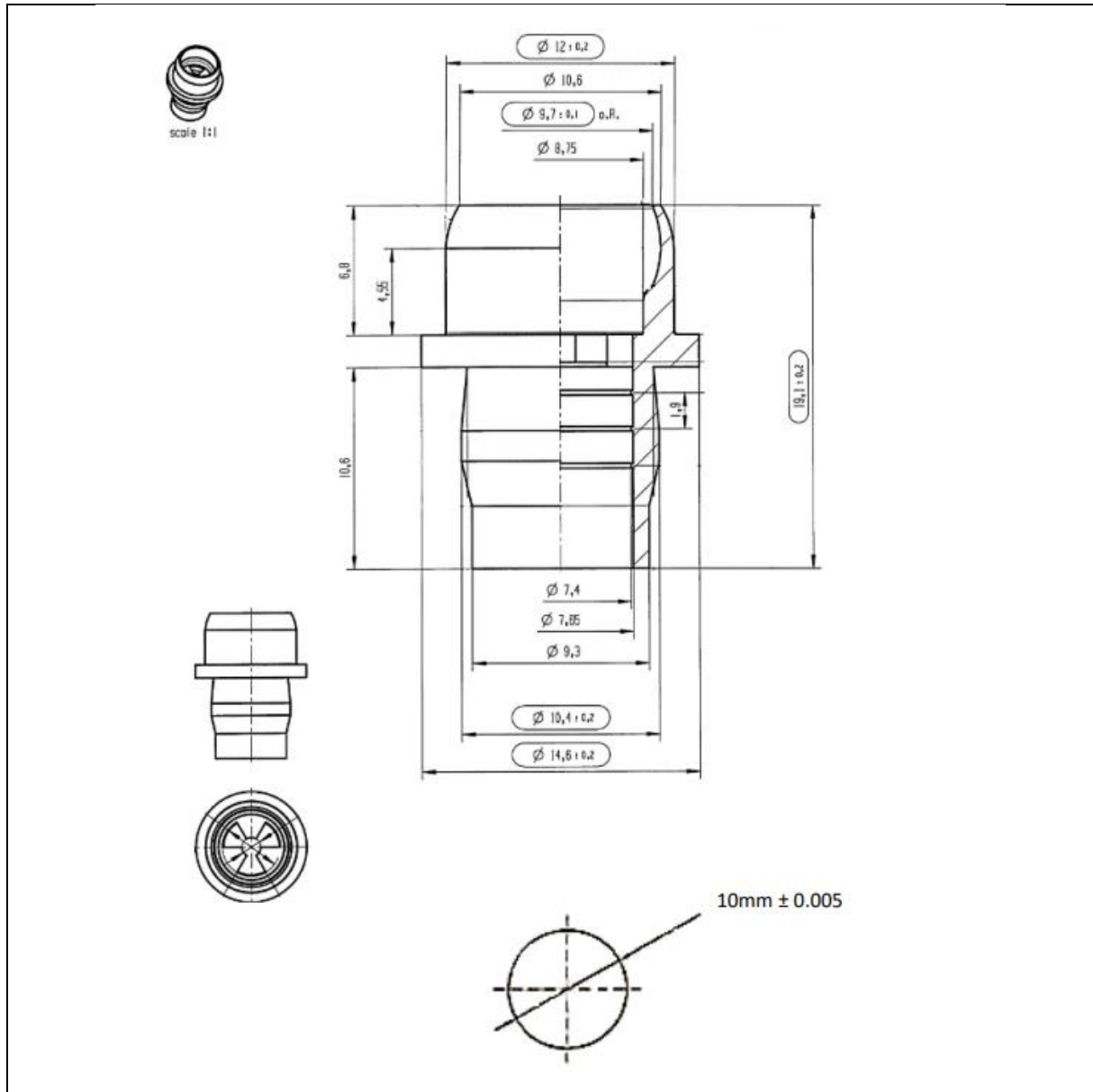


## TECHNICAL DRAWING

<b>PRODUCT</b>	<b>Rollette Steel Ball &amp; Housing</b>
<b>PRODUCT CODE</b>	<b>20009</b>



### PRODUCT SPECIFICATION DETAILS:

<b>Date of Drawing</b>	26/03/21
<b>Scale</b>	Not to scale
<b>Additional Information</b>	None
<b>Material composition</b>	10mm S/Steel Roller Ball - AISI 316-10mm Silver 10ml Rollette Star Housing LDPE White
<b>Material recyclable?</b>	Yes (will need to be broken down into different components first. Check with local waste collection provider)