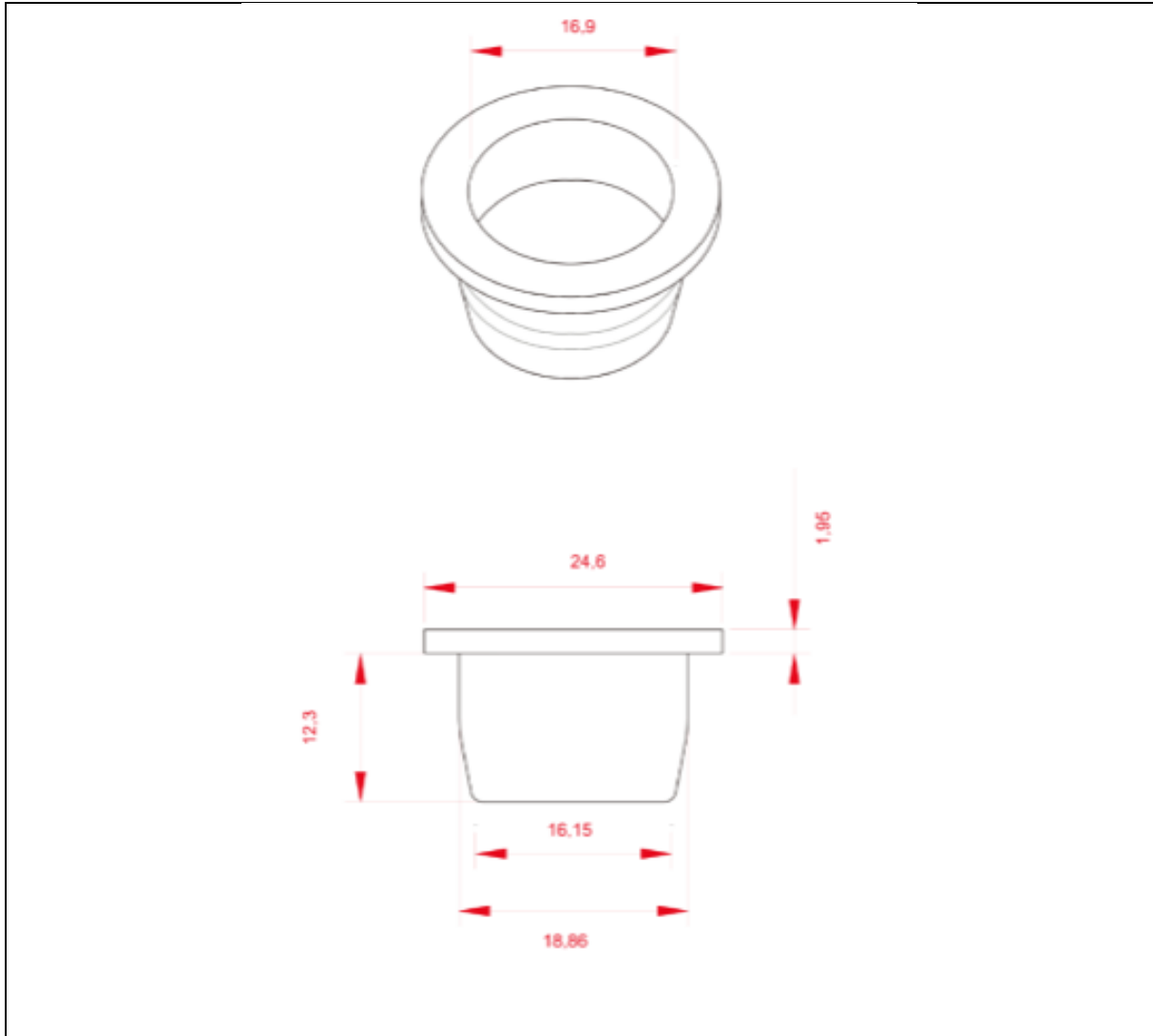


TECHNICAL DRAWING

PRODUCT	Diffuser Cap Plastic Travel Plug 28/410
PRODUCT CODE	24013 (CAP-DIF-000012)



PRODUCT SPECIFICATION DETAILS:

Date of Drawing	25/09/2020
Scale	Not to scale
Weight (g) (Approx)	0.1g
Additional Information	28mm Thread
Material composition	PE
Material recyclable?	Yes (check with local recycling centre)