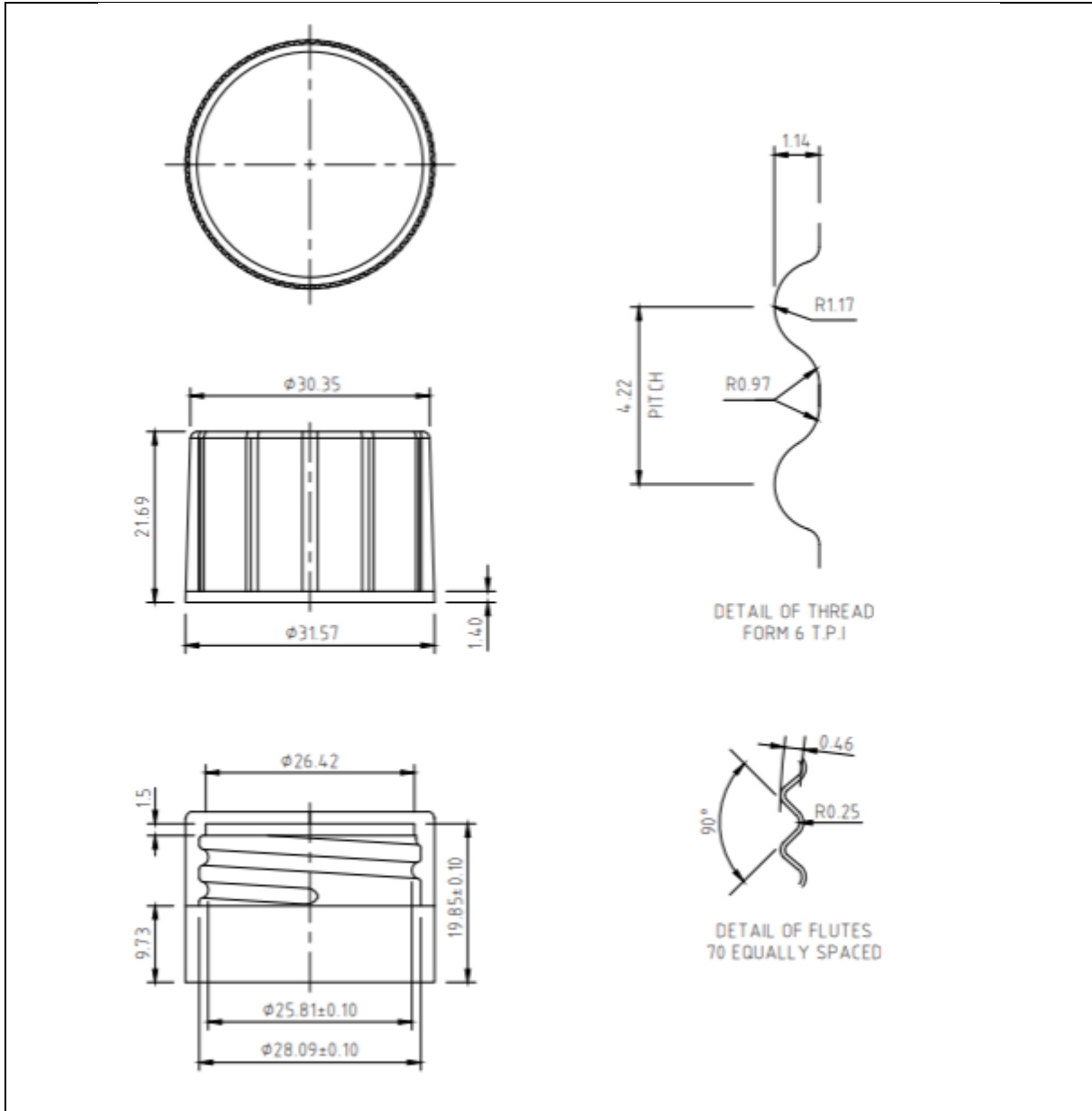


TECHNICAL DRAWING

PRODUCT	Black Polypropylene Cap PP28
PRODUCT CODE	26028 (CAP-DRC-000022)



PRODUCT SPECIFICATION DETAILS:

Date of Drawing	09/07/20
Scale	Not to scale
Weight (g) (Approx)	4.0g
Additional Information	Neck: R3/28
Material composition	PP / Liner=EPE
Material recyclable?	Yes (check with local waste collection provider)