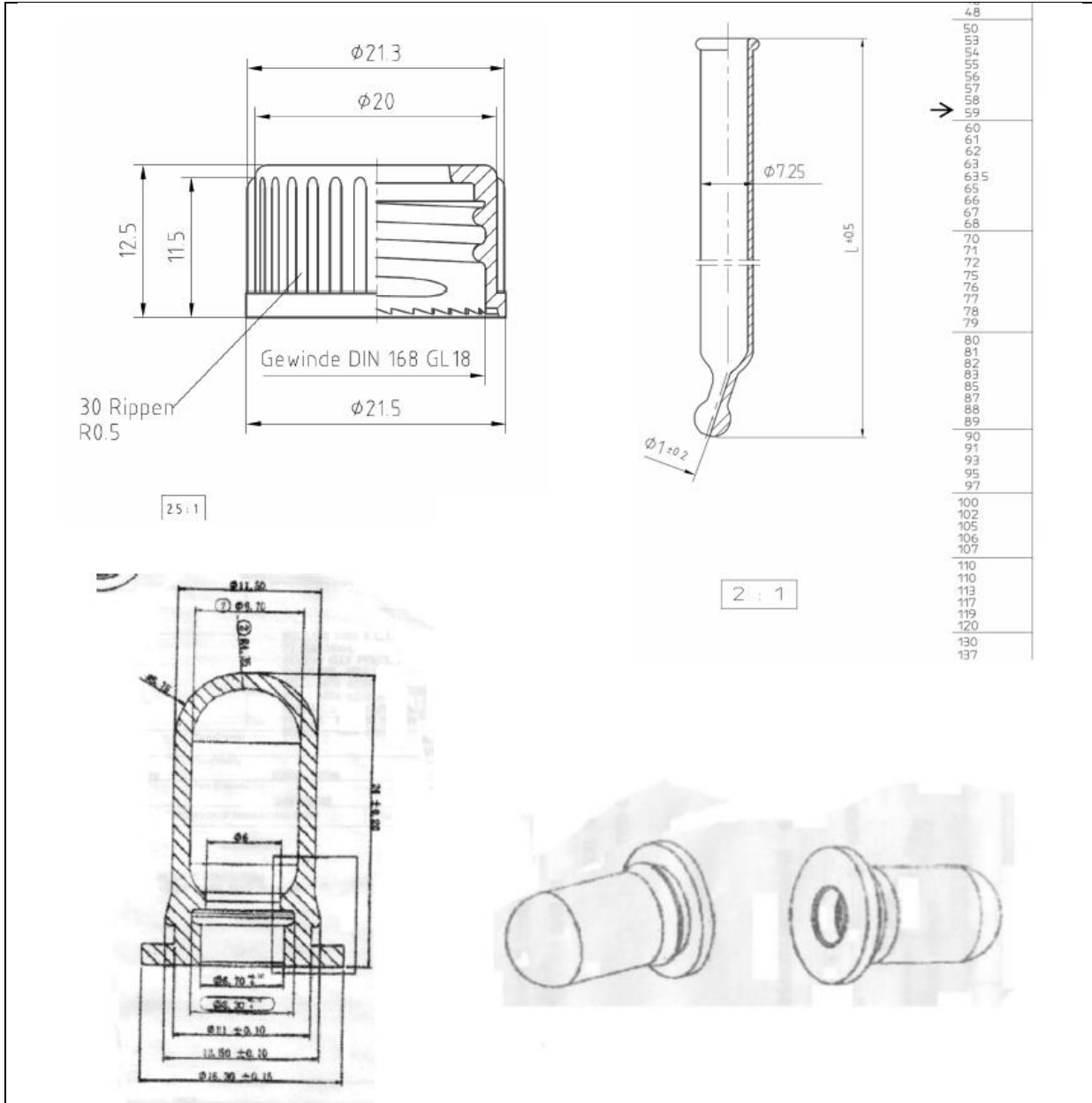


TECHNICAL DRAWING

PRODUCT	Pipettes-White-G18 10ml, 59mm
PRODUCT CODE	50001 (CAP-PIP-000001)



PRODUCT SPECIFICATION DETAILS:

Date of Drawing	29/04/24
Scale	Not to scale