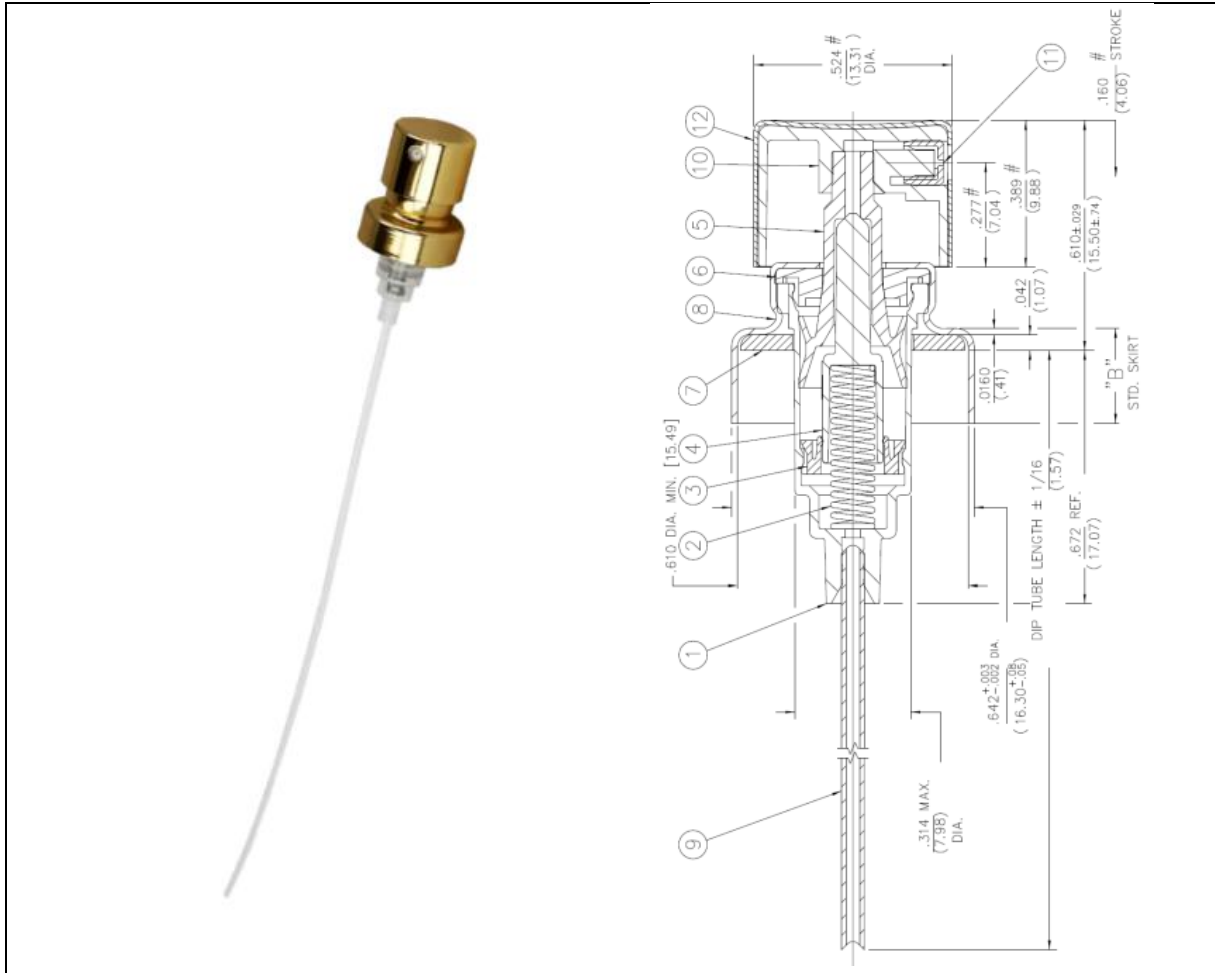


## TECHNICAL DRAWING

<b>PRODUCT</b>	<b>Atomizer Pump-Gloss Gold-FEA15 Crimp Pump-165mm d/t</b>
<b>PRODUCT CODE</b>	<b>60029 (CAP-SPP-000016)</b>



### PRODUCT SPECIFICATION DETAILS:

<b>Date of Drawing</b>	N/A																																							
<b>Scale</b>	Not to scale																																							
<b>Weight (g) Approx.</b>	2																																							
<b>Dosage</b>	80mcl																																							
<b>Composition</b>	<table border="1"> <thead> <tr> <th>ITEM</th> <th>DESCRIPTION</th> <th>MATERIAL</th> </tr> </thead> <tbody> <tr> <td>12</td> <td>SHELL</td> <td>ALUMINIUM</td> </tr> <tr> <td>11</td> <td>INSERT</td> <td>ACETALIC RESIN</td> </tr> <tr> <td>10</td> <td>ACTUATOR</td> <td>POLYPROPYLENE</td> </tr> <tr> <td>9</td> <td>DIP TUBE</td> <td>POLYPROPYLENE</td> </tr> <tr> <td>8</td> <td>FERRULE</td> <td>ALUMINIUM</td> </tr> <tr> <td>7</td> <td>GASKET</td> <td>BUNA/BUTYL</td> </tr> <tr> <td>6</td> <td>HOUSING CAP</td> <td>POLYETHYLENE</td> </tr> <tr> <td>5</td> <td>PISTON</td> <td>POLYETHYLENE</td> </tr> <tr> <td>4</td> <td>STEM</td> <td>POLYPROPYLENE</td> </tr> <tr> <td>3</td> <td>SEAL</td> <td>POLYETHYLENE</td> </tr> <tr> <td>2</td> <td>SPRING</td> <td>STAINLESS STEEL</td> </tr> <tr> <td>1</td> <td>HOUSING</td> <td>POLYPROPYLENE</td> </tr> </tbody> </table>	ITEM	DESCRIPTION	MATERIAL	12	SHELL	ALUMINIUM	11	INSERT	ACETALIC RESIN	10	ACTUATOR	POLYPROPYLENE	9	DIP TUBE	POLYPROPYLENE	8	FERRULE	ALUMINIUM	7	GASKET	BUNA/BUTYL	6	HOUSING CAP	POLYETHYLENE	5	PISTON	POLYETHYLENE	4	STEM	POLYPROPYLENE	3	SEAL	POLYETHYLENE	2	SPRING	STAINLESS STEEL	1	HOUSING	POLYPROPYLENE
ITEM	DESCRIPTION	MATERIAL																																						
12	SHELL	ALUMINIUM																																						
11	INSERT	ACETALIC RESIN																																						
10	ACTUATOR	POLYPROPYLENE																																						
9	DIP TUBE	POLYPROPYLENE																																						
8	FERRULE	ALUMINIUM																																						
7	GASKET	BUNA/BUTYL																																						
6	HOUSING CAP	POLYETHYLENE																																						
5	PISTON	POLYETHYLENE																																						
4	STEM	POLYPROPYLENE																																						
3	SEAL	POLYETHYLENE																																						
2	SPRING	STAINLESS STEEL																																						
1	HOUSING	POLYPROPYLENE																																						
<b>Material recyclable?</b>	Yes, but would need to be broken down into the separate components (check with local waste collection provider)																																							