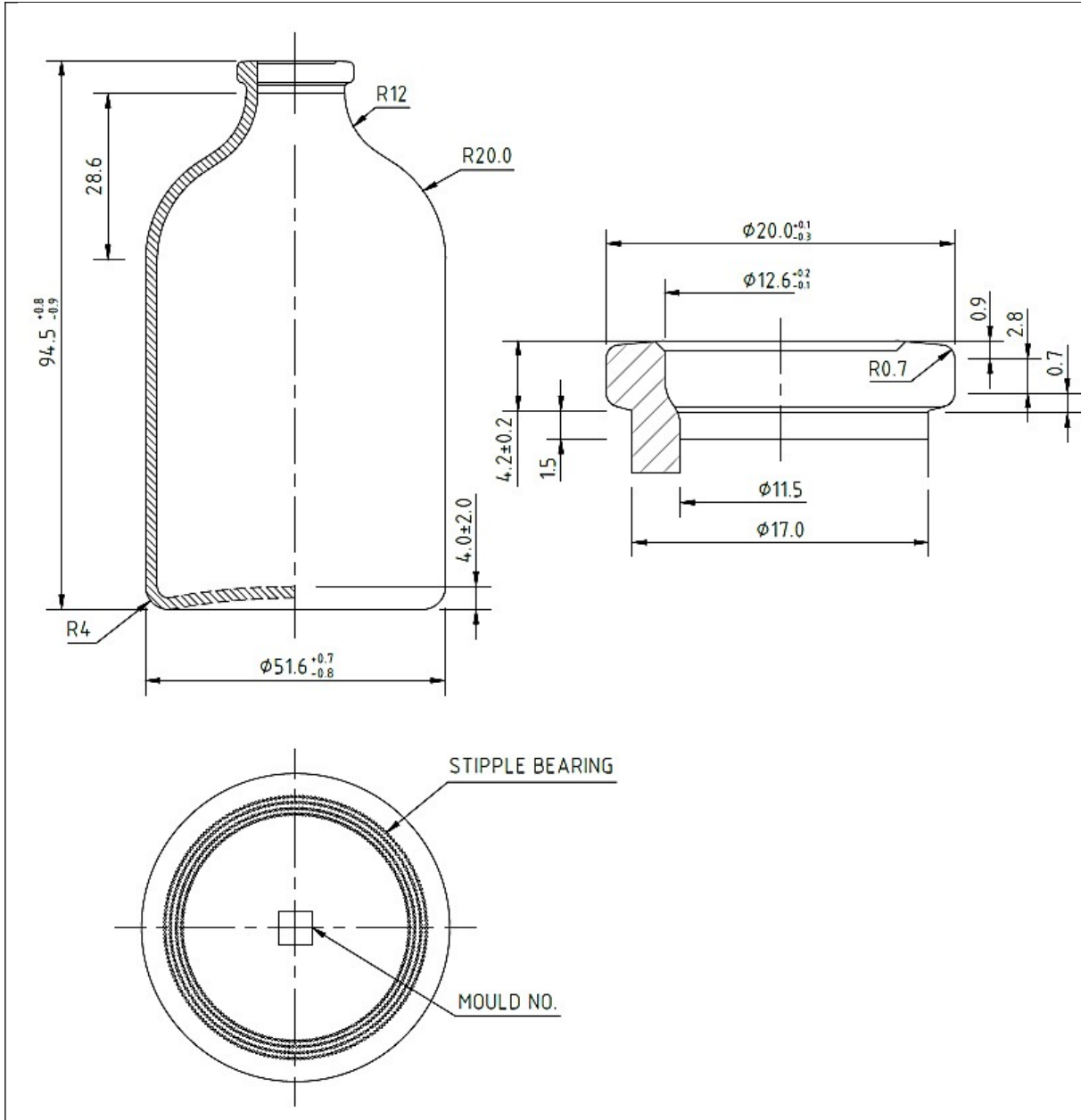


TECHNICAL DRAWING

PRODUCT	100ml Clear Injection Antibiotic Bottle
PRODUCT CODE	IVC200100C



PRODUCT SPECIFICATION DETAILS:

Date of Drawing	02/08/2024
Scale	Not to scale
Glass weight (g) (Approx)	88.5g
Finish	Clear
Additional Information	
Material composition	Glass Type III
Material recyclable?	