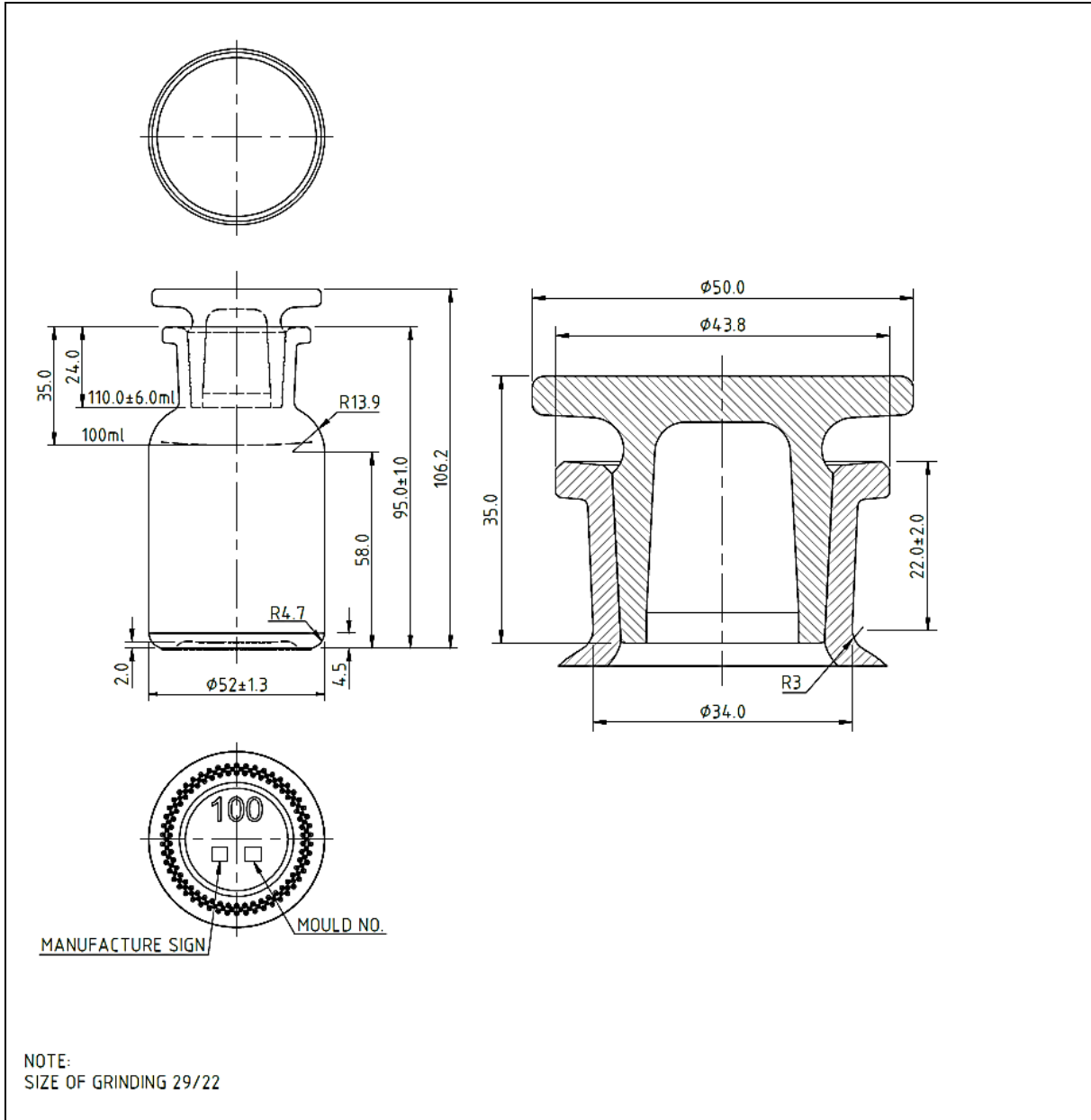


TECHNICAL DRAWING

PRODUCT	100ml Clear Reagent Bottle & Stopper
PRODUCT CODE	RBG430100A



PRODUCT SPECIFICATION DETAILS:

Date of Drawing	21/05/2020
Scale	Not to scale
Glass weight (g) (Approx)	165g
Finish	Clear
Additional Information	
Material composition	Glass
Material recyclable?	