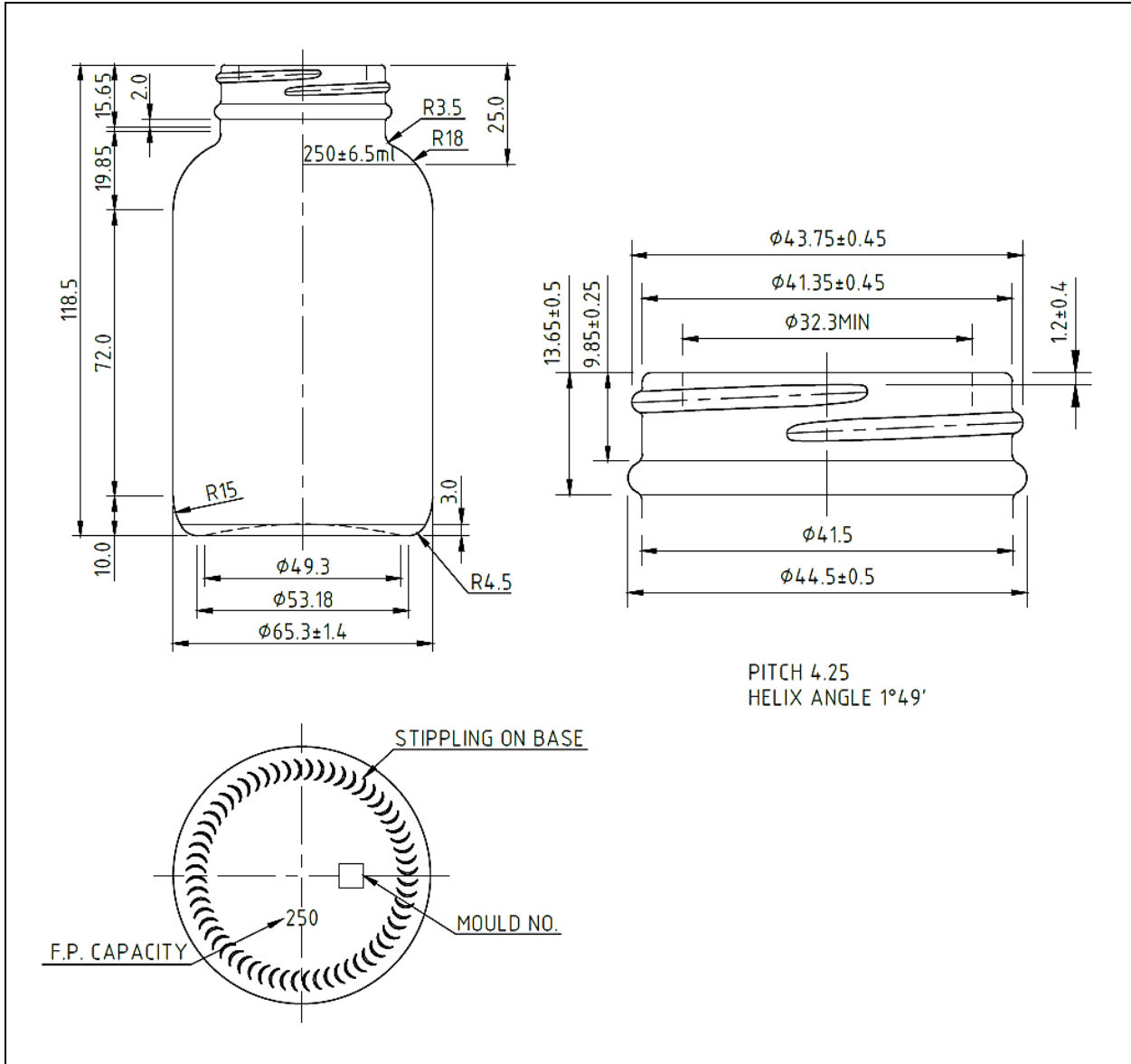


TECHNICAL DRAWING

PRODUCT	250ml Amber Powder Jar
PRODUCT CODE	PJ3450250A



PRODUCT SPECIFICATION DETAILS:

Date of Drawing	11/05/2022
Scale	Not to scale
Glass weight (g) (Approx)	170g
Finish	Amber
Additional Information	
Material composition	Glass Type III
Material recyclable?	