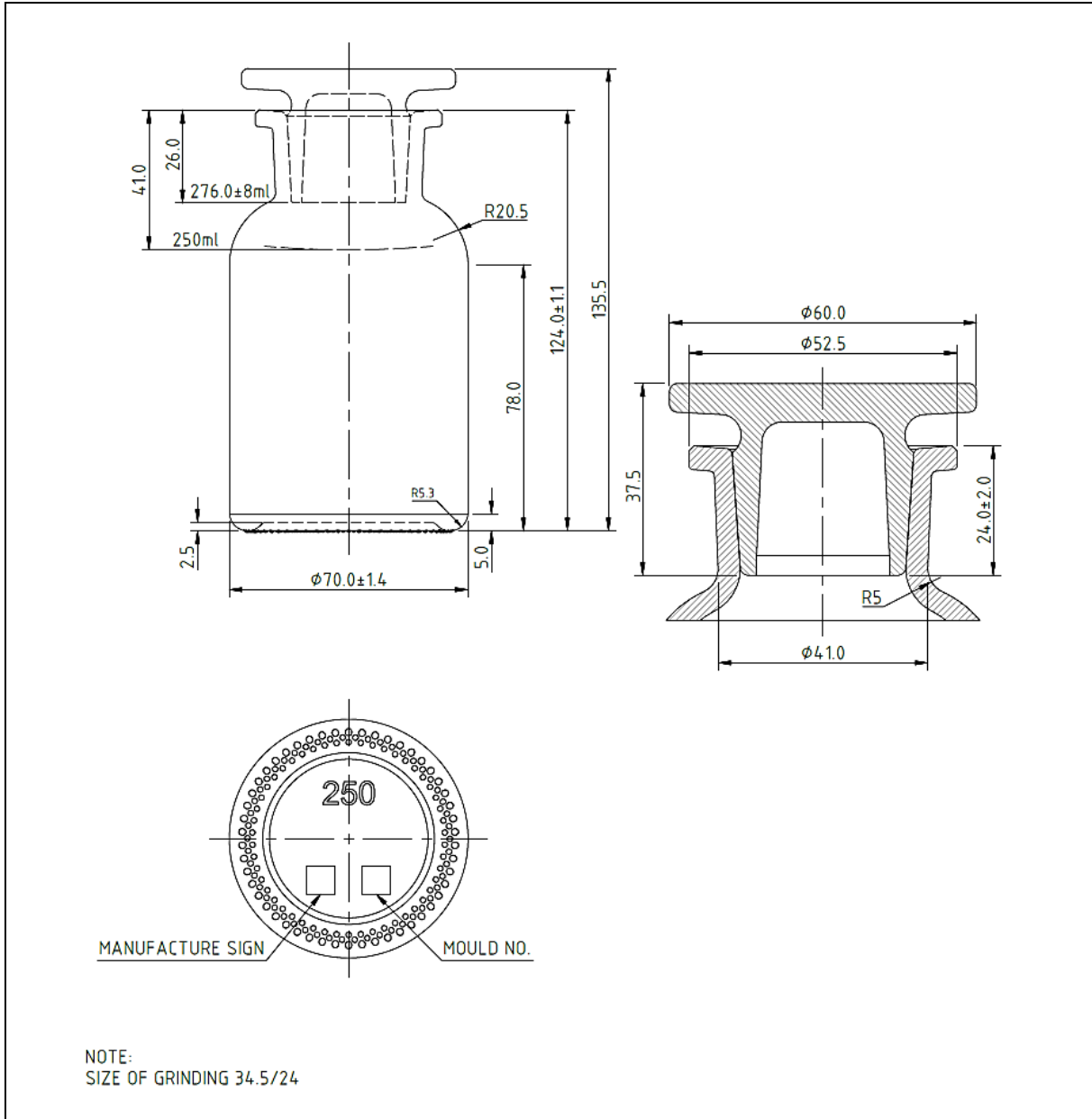


TECHNICAL DRAWING

PRODUCT	250ml Amber Reagent Bottle & Stopper
PRODUCT CODE	RBG430250Av2



PRODUCT SPECIFICATION DETAILS:

Date of Drawing	20/02/2023
Scale	Not to scale
Glass weight (g) (Approx)	313g
Finish	Amber
Additional Information	
Material composition	Glass
Material recyclable?	