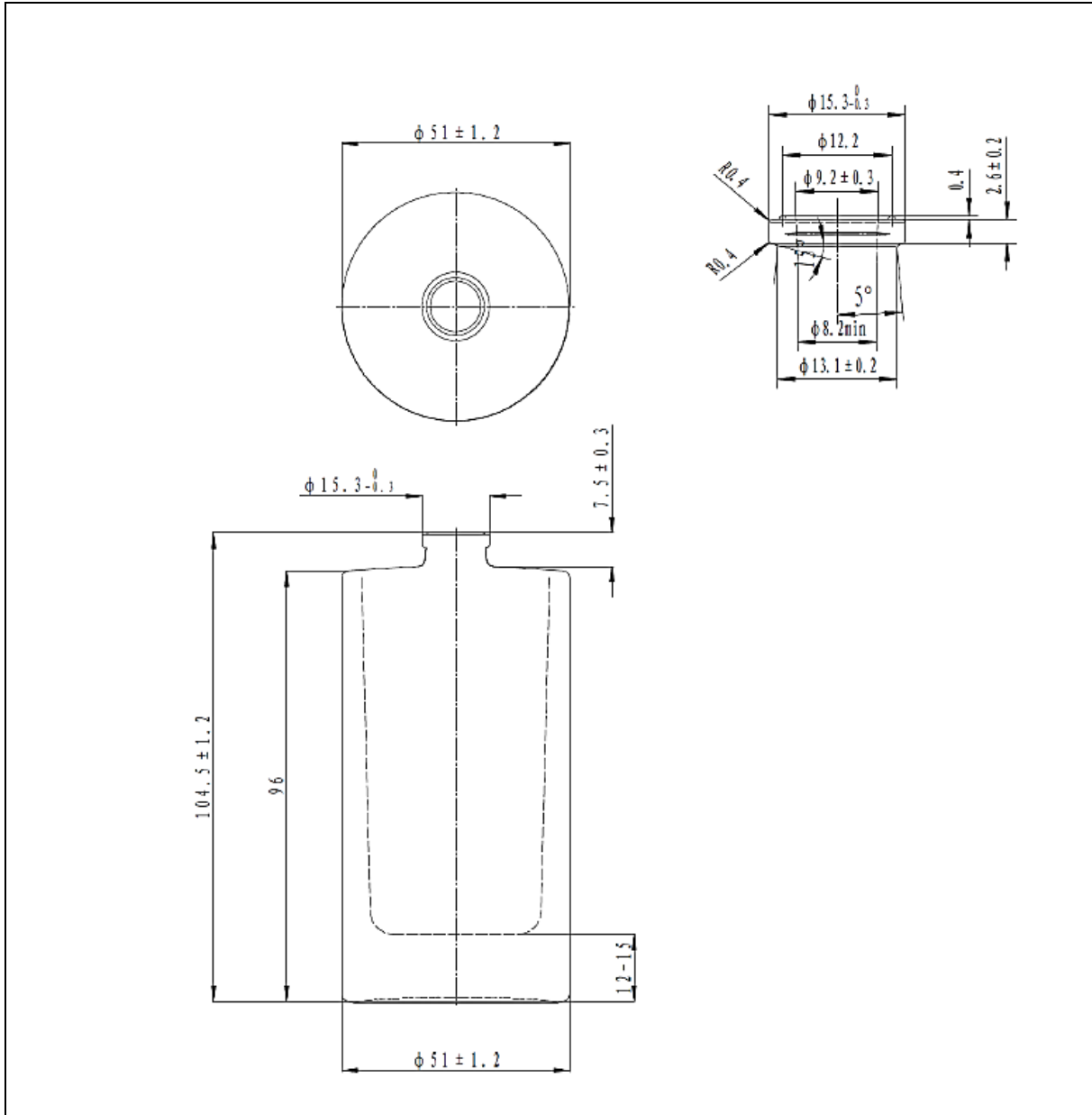


TECHNICAL DRAWING

PRODUCT	Charlotte 100ml Bottle
PRODUCT CODE	GLA-FRA-000016



PRODUCT SPECIFICATION DETAILS:

Date of Drawing	04/03/2015
Scale	Not to scale
Glass weight (g) (Approx)	215g
Finish	Clear
Additional Information	Capacity 109ml +/- 3ml
Material composition	Glass Type III
Material recyclable?	