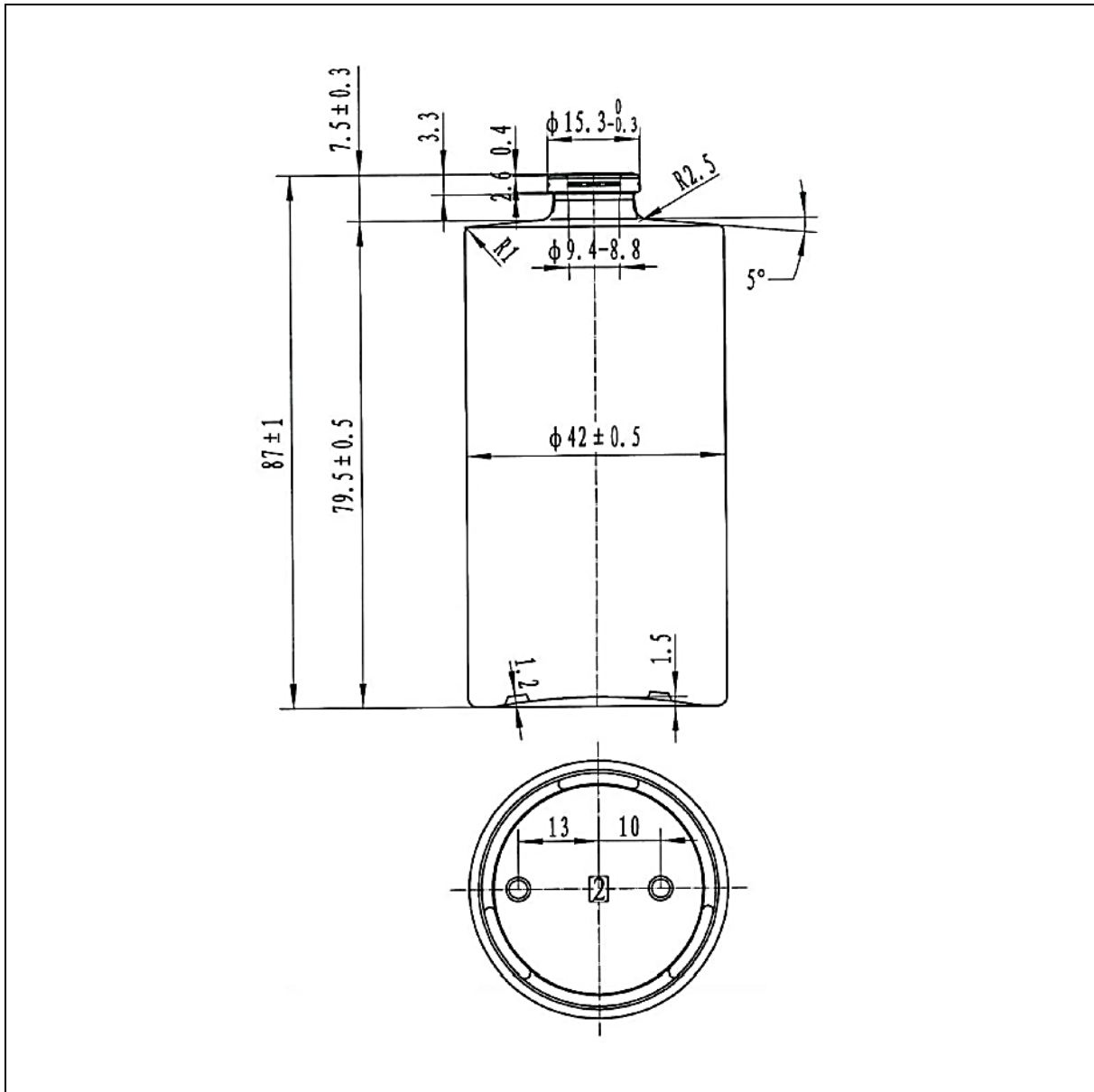


TECHNICAL DRAWING

PRODUCT	Charlotte 50ml S15
PRODUCT CODE	GLA-FRA-000015



PRODUCT SPECIFICATION DETAILS:

Date of Drawing	24/06/2019
Scale	Not to scale
Glass weight (g) (Approx)	130g
Finish	Clear
Additional Information	Capacity 56ml +/- 2cc
Material composition	Glass Type III
Material recyclable?	