

## Item: TCB45B2A002-200

### Pourer cap CPR, tamper evident, ALU/PP, black, natural pourer, non-refill, for oils (Pollux)

Old code: SVO-CPR-47-NR-BF-SW

The product has been assessed and certified as meeting the requirements of Global Standard for Packaging Materials for the following activities:

Moulding injection, offset, silk screen and pad printing, stamping and assembling of aluminium and plastic (MBS, PE, PP, PC, PS and ABS) safety closures and non-refillable valves for food industry applications.

The above mentioned product has been assessed and certified as meeting the requirements of ISO 9001:2015 for the following activities:

Design, manufacturing and marketing of safety closures and non-refillable valves for the food industry

#### **Regulations**

- Commission Regulation (EU) N° 10/2011 of 14 January 2011, related to plastic materials and articles intended to come into contact with food, including its subsequent amendments until Commission Regulations (EU) 1245/2020 of 2 September 2020
- Regulation (EC) N° 1935/2004, of the European Parliament and of the Council of 27 October 2004 on materials and articles intended to come into contact with food.
- Regulation (EC) N° 2023/2006 of 22 December 2006 on good manufacturing practices for materials and articles in contact with food.

#### **Migration analysis**

The material tested complies with the overall and specific migration limits established in Regulation (EU) No. 10/2011 of 14 January 2011 on plastic materials and articles intended to come into contact with food for the simulants and the indicated exposure conditions.

#### **Specifications of use**

- The above mentioned product the producer supplies is intended for capping bottles containing any type of alcoholic beverages and vegetable oils.
- The customer will be responsible for checking the compatibility of the closures for the end application.
- The above mentioned product does not come in continuous contact with the food contained in the bottles since they are stored in vertical position, anyway, if storage is horizontal the producer does not recommend periods of storage over 2 years at temperatures above 40° C.
- Relation between the contact surface with food and the volume used to determine the conformity of the material or object: 6 dm<sup>2</sup> / kg.
- The material used for all components of the above mentioned product is NOT recycled, but all the raw materials are first use.

#### **Functional barrier or multi-layer material**

The plastic material that is part of the above mentioned product is not formed by different layers of material, so it is not a multilayer composite and does not present a functional barrier.

The client will be responsible for checking our product is suitable for the end application.

#### **Declaration of absence BPA & Phthalates**

The producer certifies, according to the declarations of conformity received from their suppliers of raw materials, that:

- The statements received, confirm the absence of BPA on the materials for the above mentioned product
- The statements received, confirm the absence of phthalate substances on the materials for the above mentioned product
- The phthalate substances and BPA are not intentionally used or added in the manufacturing process, consisting exclusively in polymers processing.

Although the above mentioned product is not routinely tested for the presence of phthalate substances and BPA, based on product composition knowledge, these substances are not expected to be present in the final product.

### **Heavy metals and Packaging waste**

The producer certifies, according to the information provided to them by their suppliers of raw materials, the following:

- All the materials used for the manufacturing of the above mentioned product are in compliance with the relevant heavy metals requirements of the following regulations:
  - European Directive 94/62/EC of 20 December 1994 on Packaging and Packaging Waste, as amended up to Directive UE 2018/852 of 30 May 2018.
  - EN71/3 or CONEG (Coalition of Northeastern Governors - USA)
- The sum of the concentrations of the following heavy metals: lead, mercury, cadmium and hexavalent chromium present in the above mentioned product, does not exceed 100 ppm by weight in all the raw materials used (article 11 of the European Directive 94/62 EC).
- The raw materials used do not contain substances included in the Candidate List of REACH in the corresponding threshold limits (0,1% by weight).

### **Absence PFAS**

The producer certifies, according to the information provided by the raw materials suppliers, that the plastic elements of the above mentioned product, comply with the following legislation:

- Regulation (EU) 2017/1000 of the commission of June 13, 2017 that modifies, with regard to perfluorooctanoic acid (PFOA), its salts and substances related to PFOA, Annex XVII of Regulation (EC) No. 1907 /2006 of the European Parliament and of the Council, regarding the registration, evaluation, authorization and restriction of chemical substances and mixtures (REACH), which establishes the concentration limit for PFOA and its salts at 25 ppb.

Likewise, the producer certifies that in their manufacturing process they do not use this type of substance.

- US restrictions on the presence of 'intentionally added' PFAS in packaging

The type of packaging covered by this restriction include packaging components that are intended for direct contact with food and are composed primarily of paper, cardboard or other materials derived from plant origin, not including glass, metal, plastic and other materials not originally derived from plant fibers under this American law.

Based on the knowledge of the composition of the above mentioned product and the information provided by the suppliers, our producer can certify that, with respect to perfluoroalkyl substances (PFAS), they are not substances used intentionally during the manufacturing process of the product, therefore it is not expected that these are present in the components of the supplied closures.

### **Storage and transport**

Safety aspects do not require any special precautions in terms of storage.

There are no special requirements to temperature or humidity. However, high fluctuations in temperature have to be avoided, so that no condensation should be caused.

- Screen off from direct thermal radiation (distance at least 1m) and protect from direct solar radiation
- Storage in closed areas, protect against direct wetness and frost proof store
- Protect from mechanical effects, packaging should not be damaged

**Product information**

## Cap

Material: HDPE

Weight: 3 g

## Shell

Material: Aluminium

Weight: 4,15 g

## Pourer

Material: PP

Weight: 4,1 g

## Valve

Material: PP

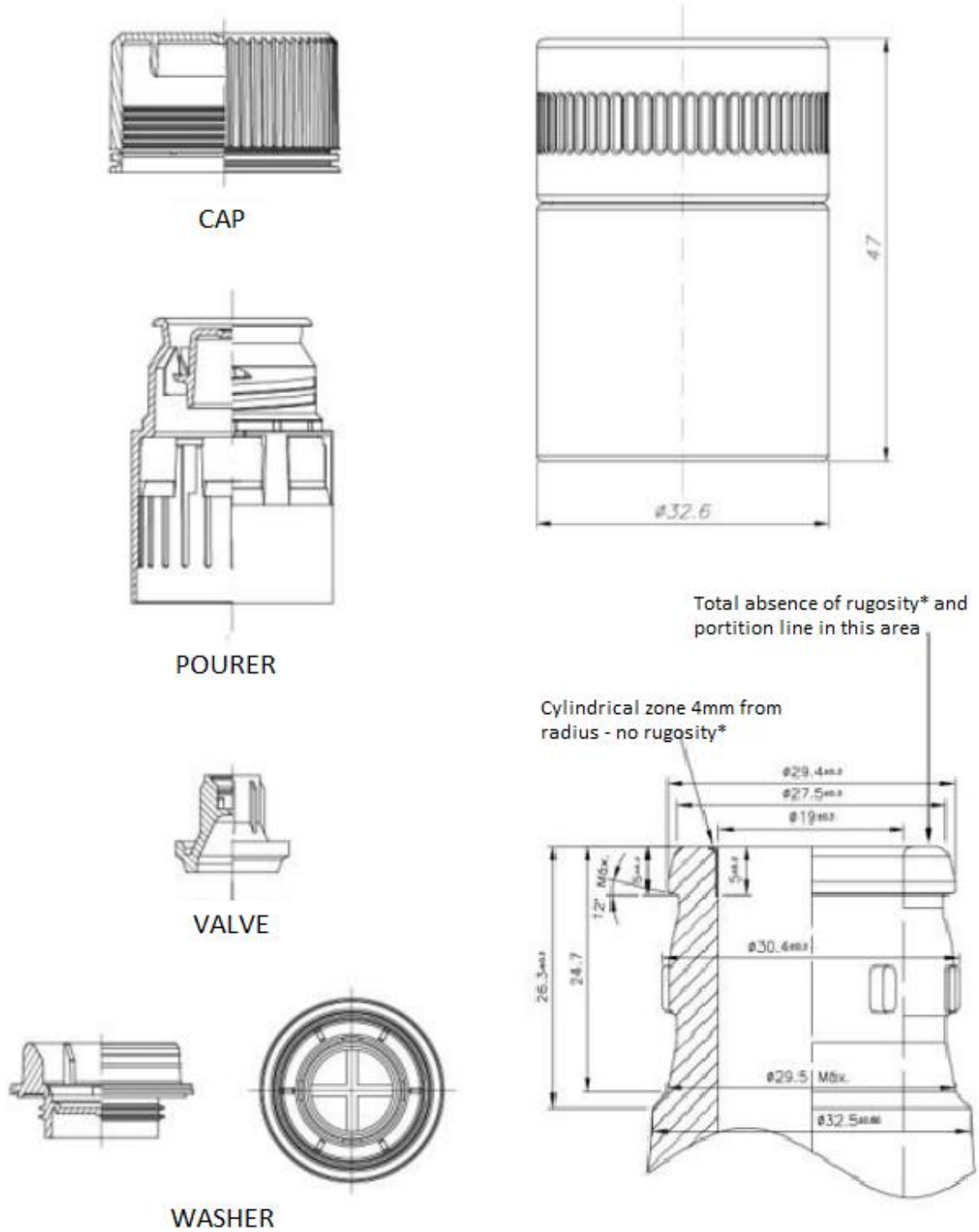
Weight: 1,1 g

## Washer

Material: LDPE

Weight: 1,65 g

**Technical drawing (TCB45B2A002-200)**



This document is created electronically and is valid without a signature.